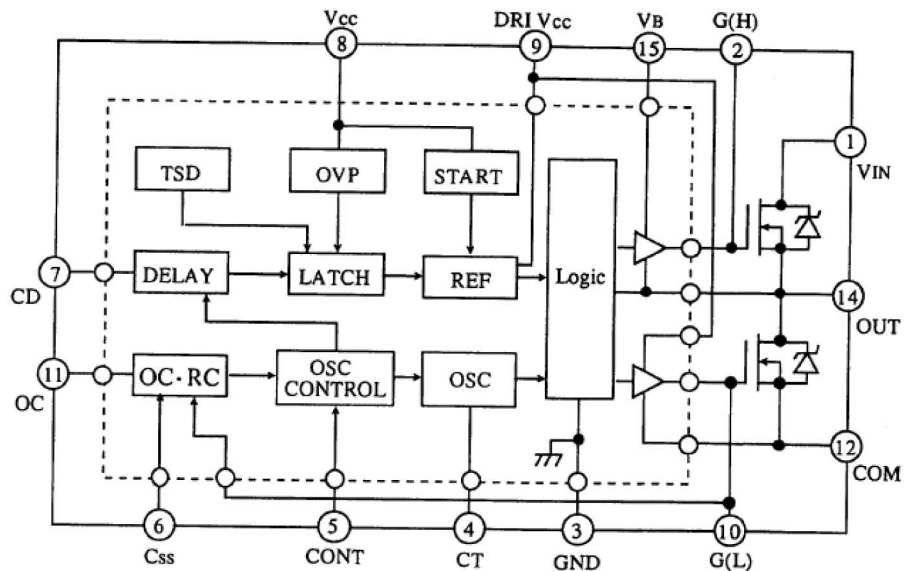
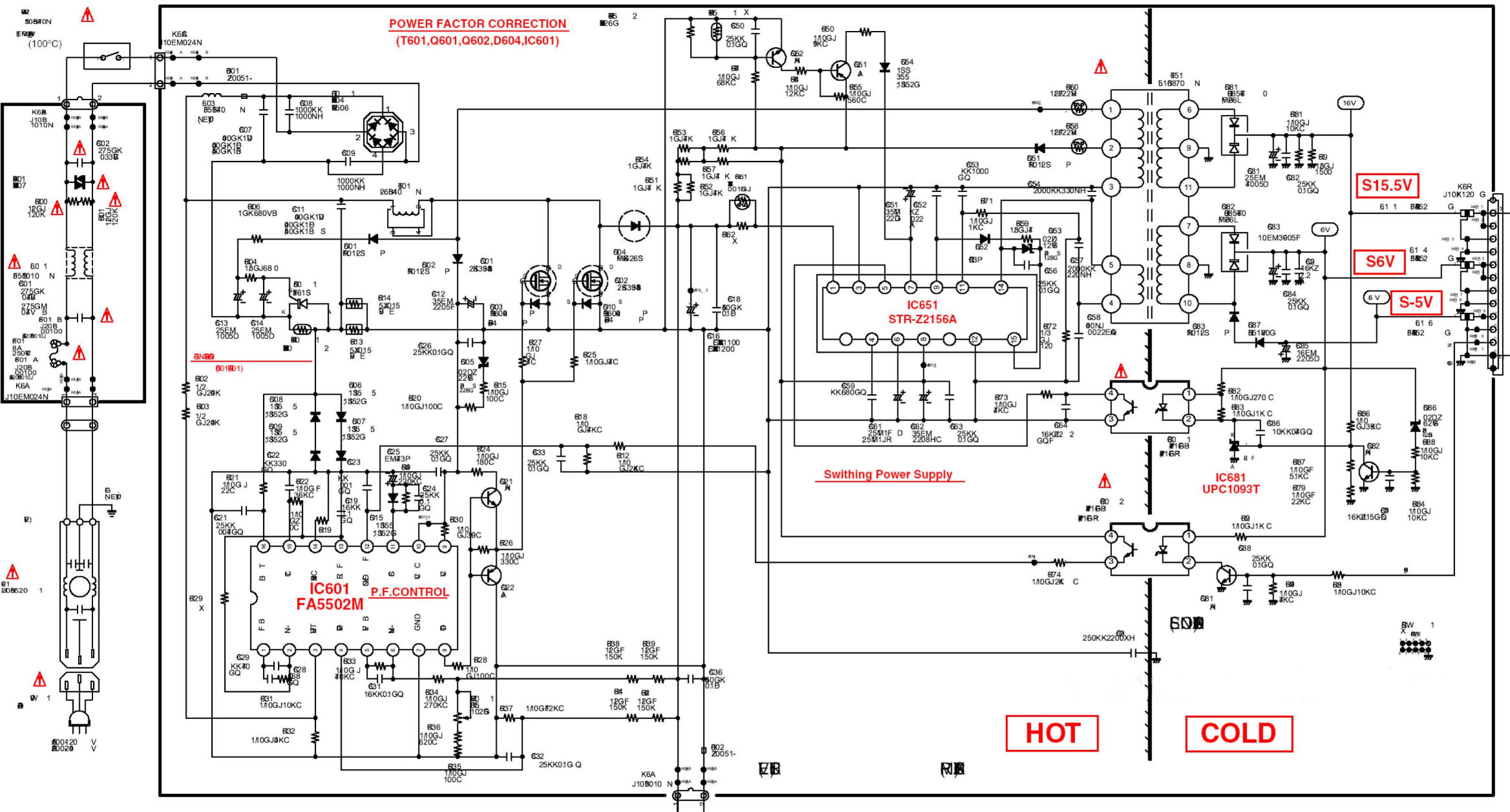


● STR-Z2156 <Power OSC, IC651>





POWER FACTOR CORRECTION
(T601,Q601,Q602,D604,IC601)

IC651
STR-Z2156A

Switching Power Supply

IC681
UPC1093T

IC601
FA5502M
P.F.CONTROL

S15.5V

S6V

S-5V

HOT

COLD

SOBTRON
E.F.0001
(100°C)

K66
10EM024N

