



# IMZ2A

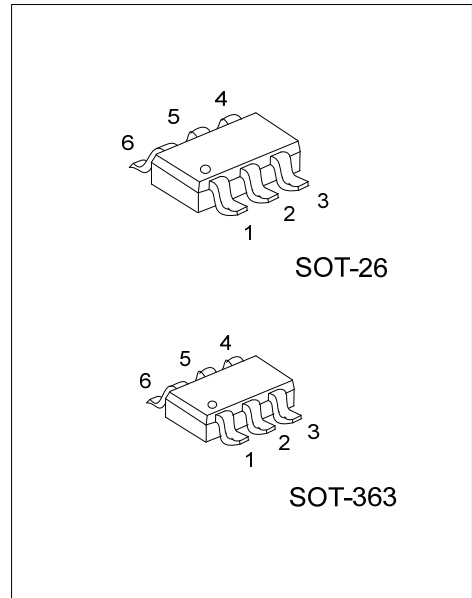
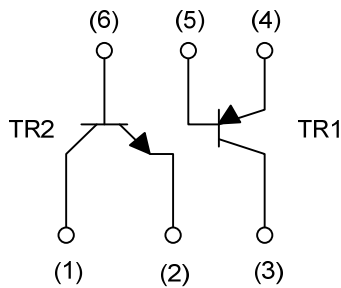
## DUAL TRANSISTOR

### POWER MANAGEMENT (DUAL TRANSISTOR)

■ FEATURES

\* Both a 2SA1037AK chip and 2SC2412K chip in a SMT package.

■ EQUIVALENT CIRCUITS



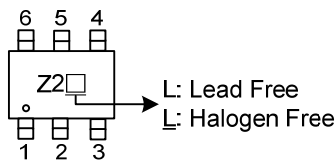
Lead-free: IMZ2AL  
Halogen-free: IMZ2AG

■ ORDERING INFORMATION

Ordering Number			Package	Pin Assignment						Packing
Normal	Lead Free	Halogen Free		1	2	3	4	5	6	
IMZ2A-AG6-R	IMZ2AL-AG6-R	IMZ2AG-AG6-R	SOT-26	C2	E2	C1	E1	B1	B2	Tape Reel
IMZ2A-AL6-R	IMZ2AL-AL6-R	IMZ2AG-AL6-R	SOT-363	C2	E2	C1	E1	B1	B2	Tape Reel

<p>IMZ2AL-AG6-R</p> <p>(1) Packing Type (2) Package Type (3) Lead Plating</p>	<p>(1) R: Tape Reel (2) AG6: SOT-26, AL6: SOT-363 (3) G: Halogen Free, L: Lead Free, Blank: Pb/Sn</p>
---	---

■ MARKING



## ■ ABSOLUTE MAXIMUM RATINGS (Ta=25°C)

PARAMETER	SYMBOL	LIMITS		UNIT
		TR1	TR2	
Collector-Base Voltage	$V_{CBO}$	-60	60	V
Collector-Emitter Voltage	$V_{CEO}$	-50	50	V
Emitter-Base Voltage	$V_{EBO}$	-6	7	V
Collector Current	$I_C$	-150	150	mA
Collector Power Dissipation (Total)	$P_C$	300 (Note 1)		mW
Junction Temperature	$T_J$	150		°C
Storage Temperature	$T_{STG}$	-55~+150		°C

Note: 1. 200mW per element must not be exceeded.

2. Absolute maximum ratings are those values beyond which the device could be permanently damaged.

Absolute maximum ratings are stress ratings only and functional device operation is not implied.

## ■ ELECTRICAL CHARACTERISTICS (Ta=25°C)

PARAMETER	SYMBOL	TEST CONDITIONS	MIN	TYP	MAX	UNIT
<b>TR1</b>						
Collector-Base Breakdown Voltage	$BV_{CBO}$	$I_C = -50\mu A$	-60			V
Collector-Emitter Breakdown Voltage	$BV_{CEO}$	$I_C = -1mA$	-50			V
Emitter-Base Breakdown Voltage	$BV_{EBO}$	$I_E = -50\mu A$	-6			V
Collector Cut-Off Current	$I_{CBO}$	$V_{CB} = -60V$			-0.1	$\mu A$
Emitter Cut-Off Current	$I_{EBO}$	$V_{EB} = -6V$			-0.1	$\mu A$
Collector-Emitter Saturation Voltage	$V_{CE(SAT)}$	$I_C / I_B = -50mA/-5mA$			-0.5	V
DC Current Transfer Ratio	$h_{FE}$	$V_{CE} = -6V, I_C = -1mA$	120		560	-
Transition Frequency	$f_T$	$V_{CE} = -12V, I_E = 2mA, f = 100MHz$ (Note)		140		MHz
Output Capacitance	$C_{ob}$	$V_{CB} = -12V, I_E = 0A, f = 1MHz$		4	5	pF
<b>TR2</b>						
Collector-Base Breakdown Voltage	$BV_{CBO}$	$I_C = 50\mu A$	60			V
Collector-Emitter Breakdown Voltage	$BV_{CEO}$	$I_C = 1mA$	50			V
Emitter-Base Breakdown Voltage	$BV_{EBO}$	$I_E = 50\mu A$	7			V
Collector Cut-Off Current	$I_{CBO}$	$V_{CB} = 60V$			0.1	$\mu A$
Emitter Cut-Off Current	$I_{EBO}$	$V_{EB} = 7V$			0.1	$\mu A$
Collector-Emitter Saturation Voltage	$V_{CE(SAT)}$	$I_C / I_B = 50mA/5mA$			0.4	V
DC Current Transfer Ratio	$h_{FE}$	$V_{CE} = 6V, I_C = 1mA$	120		560	-
Transition Frequency	$f_T$	$V_{CE} = 12V, I_E = -2mA, f = 100MHz$ (Note)		180	-	MHz
Output Capacitance	$C_{ob}$	$V_{CB} = 12V, I_E = 0A, f = 1MHz$		2	3.5	pF

Note: Transition frequency of the device.

UTC assumes no responsibility for equipment failures that result from using products at values that exceed, even momentarily, rated values (such as maximum ratings, operating condition ranges, or other parameters) listed in products specifications of any and all UTC products described or contained herein. UTC products are not designed for use in life support appliances, devices or systems where malfunction of these products can be reasonably expected to result in personal injury. Reproduction in whole or in part is prohibited without the prior written consent of the copyright owner. The information presented in this document does not form part of any quotation or contract, is believed to be accurate and reliable and may be changed without notice.