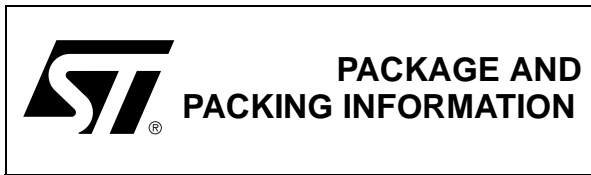


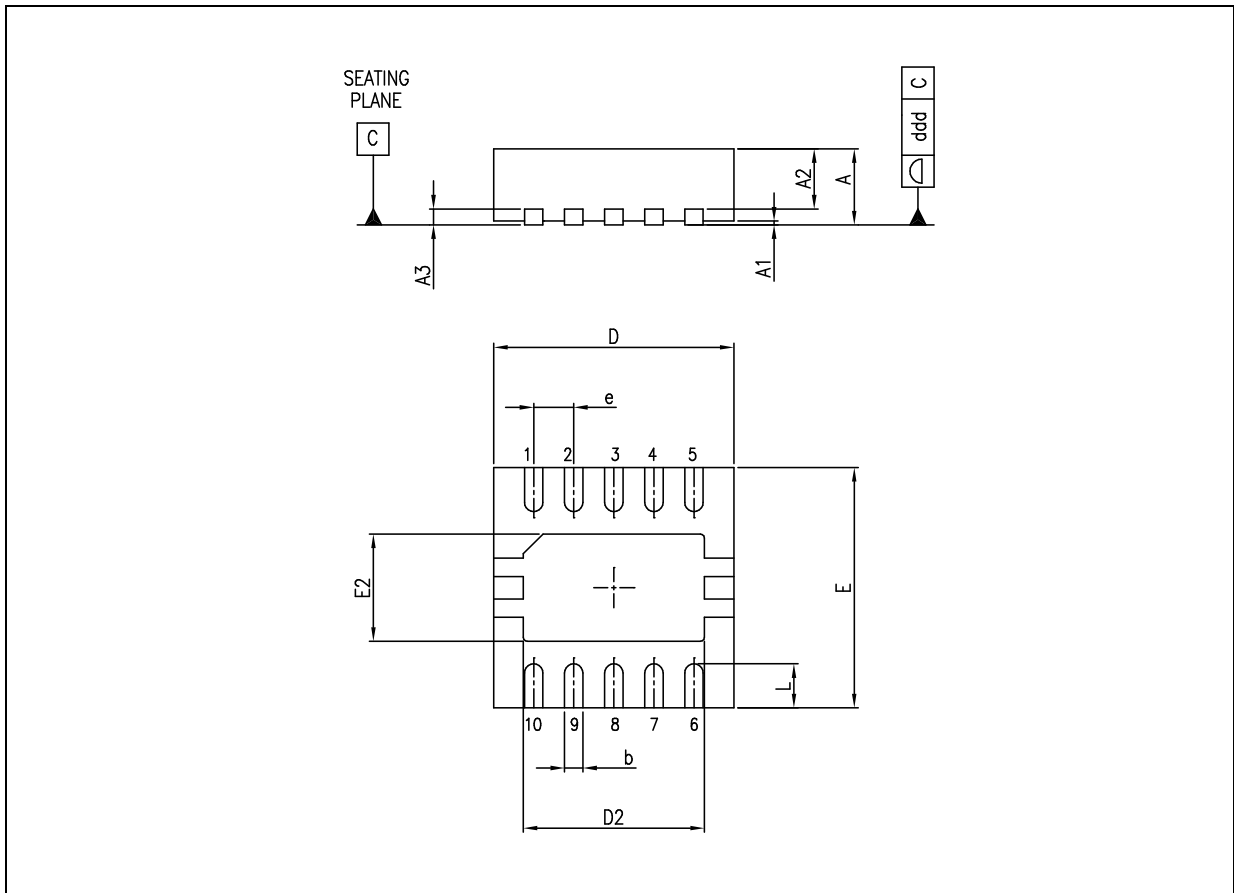
DIMENSIONS						
REF.	mm			inch		
	MIN.	TYP.	MAX.	MIN.	TYP.	MAX.
A	0.80	0.90	1.00	0.031	0.035	0.039
A1		0.02	0.05		0.001	0.002
A2		0.70			0.028	
A3		0.20			0.008	
b	0.18	0.23	0.30	0.007	0.009	0.012
D		3.00			0.118	
D2	2.21	2.26	2.31	0.087	0.089	0.091
E		3.00			0.118	
E2	1.49	1.64	1.74	0.059	0.065	0.069
e		0.50			0.20	
L	0.3	0.4	0.5	0.012	0.016	0.020



DUAL FLAT NO-LEAD PACKAGE

Weight: not available

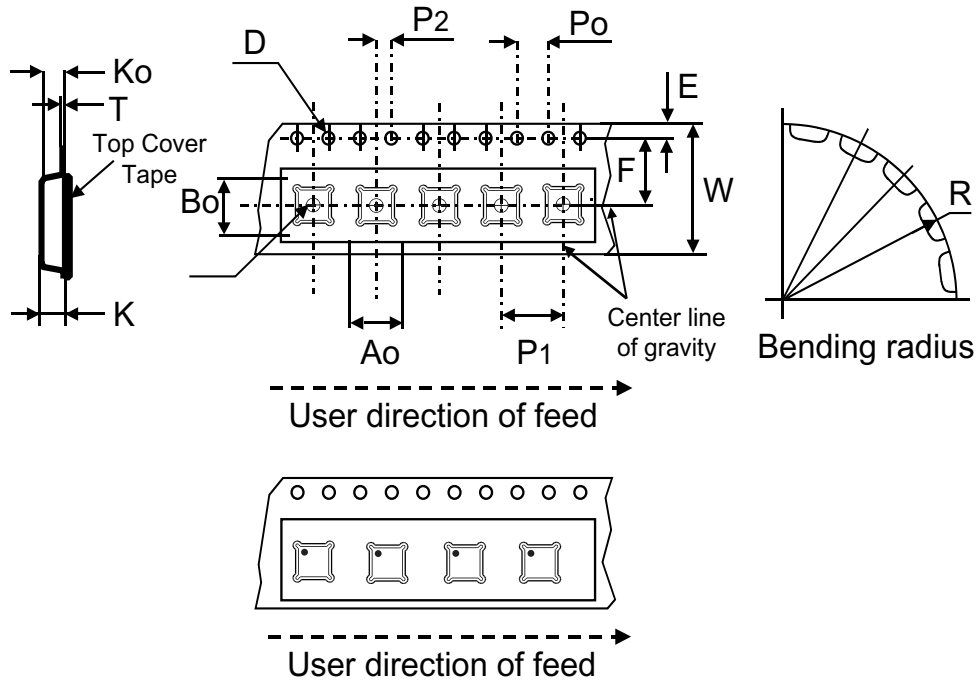
DFN10 (3x3)



DFN10 (3x3) PACKAGE AND PACKING INFORMATION

TAPE & REEL SHIPMENT INFORMATION

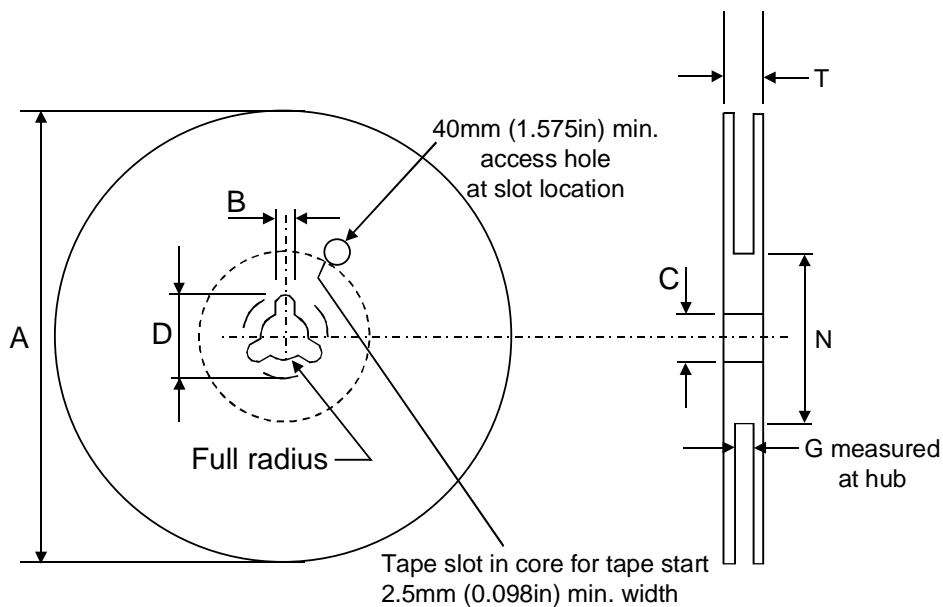
TAPE SPECIFICATIONS



TAPE MECHANICAL DATA		
	mm.	inch
D	1.50 +0.1/0	0.059 +0.004/0
E	1.75 ±0.1	0.069 ±0.004
Po	4.00 ±0.1	0.157 ±0.004
T max.	0.40	0.016
D1 min.	1.00	0.039
F	3.5 ±0.05	0.138 ±0.002
K max.	2.40	0.094
P2	2.00 ±0.05	0.079 ±0.002
R	25	0.984
W	8.00 ±0.30	0.315 ±0.012
P1	4.00	0.157
Ao, Bo, Ko	0.05 min to 0.5 max.	0.002 min to 0.02 max.

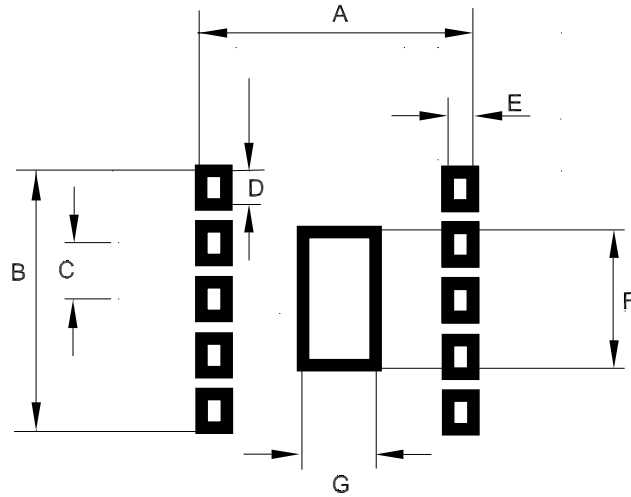
BASE QUANTITY	3000 pcs.
BULK QUANTITY	3000 pcs.

TAPE & REEL SHIPMENT INFORMATION
REEL SPECIFICATIONS



REEL MECHANICAL DATA		
	mm.	inch
Tape size	8.0 ±0.30	0.315 ±0.012
A max.	180.0	7.087
B min.	1.5	0.059
C	13.0 ±0.20	0.512 ±0.008
D min.	20.2	0.795
N min.	60	2.362
G	8.4 +2/-0	0.331 +0.079/-0
T max.	14.4	0.567

FOOTPRINT RECOMMENDED DATA



FOOTPRINT DATA		
	mm.	inch
A	4.00	0.158
B	2.30	0.091
C	0.50	0.020
D	0.30	0.012
E	0.55	0.022
F	1.39	0.055
G	0.63	0.025