

## Single-Phase Controller with Integrated Driver for VR12.1 Mobile CPU Core Power Supply

### General Description

The RT8171C is a VR12.1 compliant CPU power controller which includes one voltage rails : a 1 phase synchronous buck controller, the CORE VR. The RT8171C has zero load-line function to support zero load-line application. The RT8171C adopts G-NAVP™ (Green Native AVP), which is Richtek's proprietary topology derived from finite DC gain compensator with current mode control, making it an easy to set the PWM controller, meeting all Intel CPU requirements of AVP (Active Voltage Positioning). Based on the G-NAVP™ topology, the RT8171C also features a quick response mechanism for optimized AVP performance during load transient. The RT8171C supports mode transition function with various operating states. A Serial VID (SVID) interface is built in the RT8171C to communicate with Intel VR12.1 compliant CPU. The RT8171C supports VID on-the-fly function with three different slew rates : Fast, Slow and Decay. By utilizing the G-NAVP™ topology, the operating frequency of the RT8171C varies with VID, load and input voltage to further enhance the efficiency even in CCM. The built-in high accuracy DAC converts the SVID code ranging from 0.25V to 1.52V with 5mV per step, as shown in Table 1. The RT8171C integrates a high accuracy ADC for platform setting functions, such as quick response or over current level. The RT8171C provides VR ready output signals. It also features complete fault protection functions including Over Voltage (OV), Under Voltage (UV), Negative Voltage (NV), Over Current (OC) and Under Voltage Lockout (UVLO). The RT8171C is available in a WQFN-32L 4x4 small foot print package.

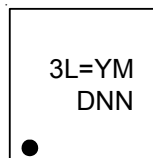
### Features

- VR12.1 Compatible Power Management States
- Switching Frequency up to 1MHz
- Serial VID Interface
- Signal Phase PWM Controller
- G-NAVP™ Topology
- 0.5% DAC Accuracy
- Differential Remote Voltage Sensing
- Built-in ADC for Platform Programming
- System Thermal Compensated AVP
- Diode Emulation Mode at Light Load Condition
- Fast transient Response
- VR Ready Indicator
- Thermal Throttling
- Current Monitor Output
- Low Quiescent Power at PS3 and PS4
- OVP, UVP, OCP, UVLO, NVP
- Address Flip Function
- DVID Improvement

### Applications

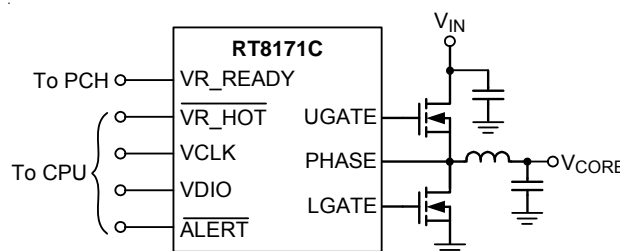
- VR12.1 Intel Core Supply
- Notebook CPU Core Supply
- AVP Step-Down Converter

### Marking Information



3L = : Product Code  
YMDNN : Date Code

### Simplified Application Circuit



## Ordering Information

RT8171C □ □

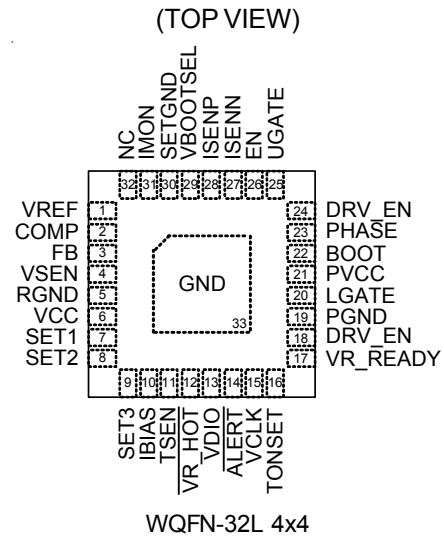
- Package Type  
QW : WQFN-32L 4x4 (W-Type)
- Lead Plating System  
G : Green (Halogen Free and Pb Free)

Note :

Richtek products are :

- ▶ RoHS compliant and compatible with the current requirements of IPC/JEDEC J-STD-020.
- ▶ Suitable for use in SnPb or Pb-free soldering processes.

## Pin Configurations

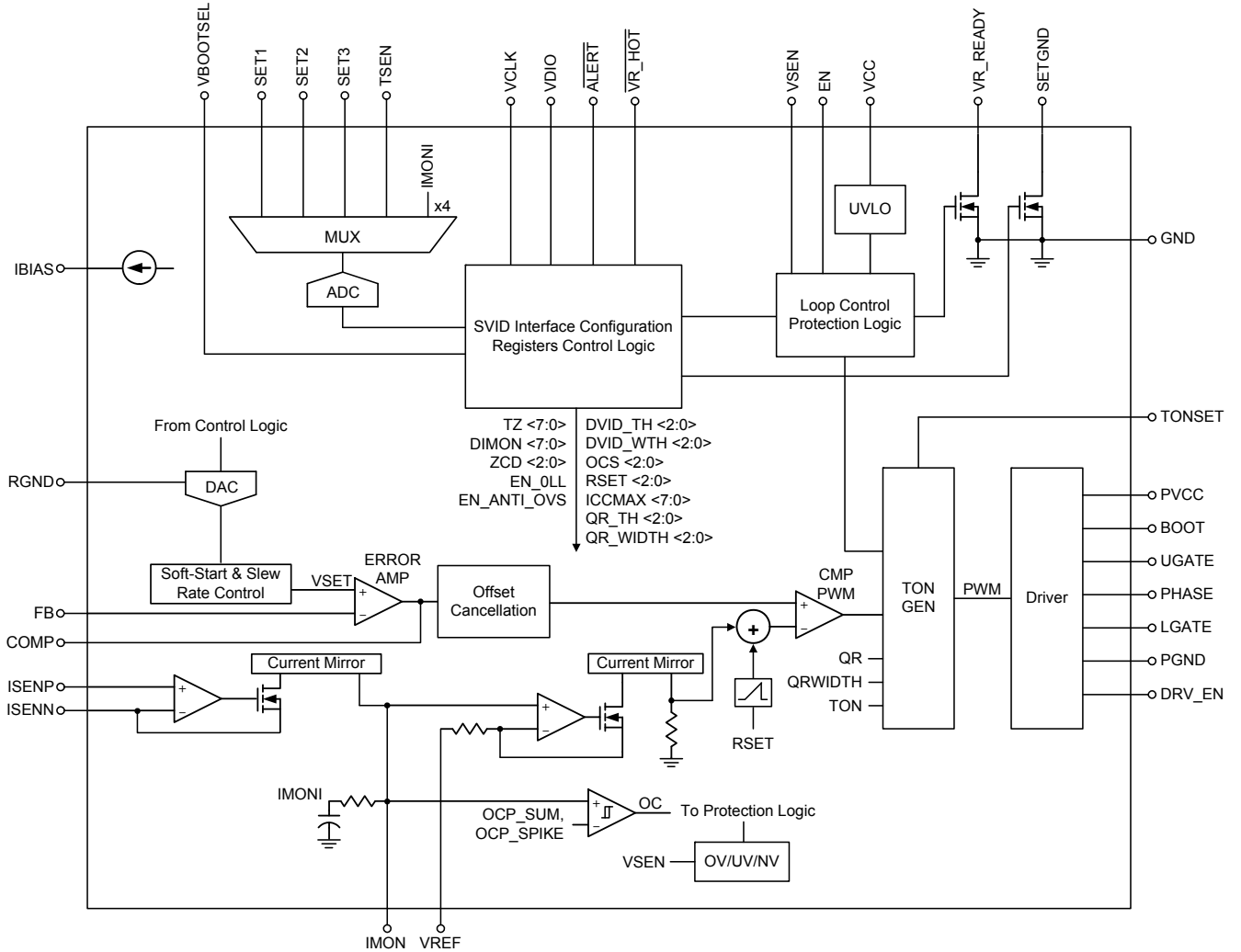


## Functional Pin Description

Pin No.	Pin Name	Pin Function
1	VREF	Fixed 0.6V Output Reference Voltage. This voltage is only used to offset the output voltage of the IMON pin. Between this pin and GND must be placed a exact 0.47μF decoupling capacitor.
2	COMP	CORE VR Compensation Node. This pin is the output node of the error amplifier.
3	FB	CORE VR Feedback Voltage Input. This pin is the negative input node of the error amplifier.
4	VSEN	CORE VR Voltage Sense Input. This pin is connected to the terminal of CORE VR output voltage.
5	RGND	Return Ground for CORE VR. This pin is the negative node of the differential remote voltage sensing.
6	VCC	Supply Voltage Input. Connect this pin to GND via a ceramic capacitor larger than 2.2μF. The decoupling capacitor should be placed as close to the controller as possible. If the ripple of voltage source is large, RC low pass filter is recommended. (R = 20Ω, C = 2.2μF)
7	SET1	1 <sup>st</sup> Platform Setting. Platform can use this to set DVID compensation time, RSET, DVID compensation width and OCS.
8	SET2	2 <sup>nd</sup> Platform Setting. Platform can use this to set ICCMAX, QRTH and QRWIDTH.
9	SET3	3 <sup>rd</sup> Platform Setting. Platform can use this to set zero load-line, anti-overshoot, ADDR, switching frequency range, shrink T <sub>ON</sub> at PS2 and PS3 and ZCD threshold voltage.
10	IBIAS	Internal Bias Current Setting. Connecting this pin to GND by a 100k resistor can set the internal current. Do not connect this pin to GND by a bypass capacitor.
11	TSEN	Thermal Sense Input of CORE VR.

Pin No.	Pin Name	Pin Function
12	$\overline{\text{VR\_HOT}}$	Thermal Monitor Output. (Active Low).
13	VDIO	VR and CPU Data Transmission Interface.
14	$\overline{\text{ALERT}}$	SVID Alert. (Active Low).
15	VCLK	Synchronous Clock from the CPU.
16	TONSET	CORE VR On-Time Setting. Connect this pin to input voltage with one resistor. By this resistor value, ripple size in PWM-mode can be set.
17	VR_READY	VR Ready Indicator of CORE VR.
18, 24	DRV_EN	Internal Driver Enable Control. These two pins should be floating and be connected together.
19	PGND	Driver Power Ground.
20	LGATE	Low-Side Gate Driver Output. This pin drives the Gate of low-side MOSFET.
21	PVCC	Driver Power. Connect this pin to GND by a ceramic capacitor 2.2 $\mu$ F at least.
22	BOOT	Bootstrap Supply for High-Side MOSFET.
23	PHASE	Switch Node. This Pin is Return Node of The Core VR high-side driver. Connect this pin to the high-side MOSFET Source together with the low-side MOSFET Drain and the inductor.
25	UGATE	High-Side Gate Driver Output. This pin drives the Gate of high-side MOSFET.
26	EN	VR Enable Control Input.
27	ISENN	Negative Current Sense Input.
28	ISENP	Positive Current Sense Input.
29	VBOOTSEL	Boot Voltage Setting. Connect to a resistor divider between VCC and SETGND pins. By using this pin, BOOT voltage can be set to 0.9V, 1V or 1.1V.
30	SETGND	Ground Return for the Platform Setting Pins : SET1, SET2, SET3, VBOOTSEL and TSEN. The SETGND pin is connected to ground except at PS3 and PS4.
31	IMON	CPU Core Current Monitor Output. This pin outputs a voltage proportional to the inductor current. Do not connect a bypass capacitor from this pin to GND or the VREF pin.
32	NC	No Internal Connection.
33 (Exposed Pad)	GND	Ground. The exposed pad must be soldered to a large PCB and connected to GND for maximum power dissipation.

Function Block Diagram



## Operation

The RT8171C adopts G-NAVP™ (Green Native AVP) which is Richtek's proprietary topology derived from finite DC gain of EA amplifier with current mode control, making it easy to set the droop to meet all Intel CPU requirements of AVP (Adaptive Voltage Positioning).

The RT8171C adopts the G-NAVP™ controller, which is one type of current mode constant on-time control with DC offset cancellation. The approach can not only improve DC offset problem for increasing system accuracy but also has fast transient response. When current feedback signal reaches COMP signal, the RT8171C generates an on-time width to achieve PWM modulation.

Besides, RT8171C also can support zero load-line application.

### TON GEN

Generate the PWM signal sequentially according to the phase control signal from the Loop Control Protection Logic.

### SVID Interface/Configuration Registers/Control Logic

The interface that receives the SVID signal from CPU and sends the relative signals to Loop Control Protection Logic to execute the action by CPU.

The registers save the pin setting data from ADC output.

The Control Logic controls the ADC timing and generates the digital code of the VID that is relative to VSEN.

### Loop Control Protection Logic

It controls the power on sequence and the protection behavior.

### Offset Cancellation

Cancel the current/voltage ripple issue to get the accurate VSEN.

### UVLO

Detect the PVCC and VCC voltage and issue POR signal as they are high enough.

### DAC

Generate an analog signal according to the digital code generated by Control Logic.

### Soft-Start & Slew Rate Control

Control the Dynamic VID slew rate of VSET according to the SetVID fast or SetVID slow. And the soft-start slew rate is the slow slew rate.

Table 1. VR12.1 VID Code Table

VID7	VID6	VID5	VID4	VID3	VID2	VID1	VID0	HEX	Voltage (V)
0	0	0	0	0	0	0	1	01	0.250
0	0	0	0	0	0	1	0	02	0.255
0	0	0	0	0	0	1	1	03	0.260
0	0	0	0	0	1	0	0	04	0.265
0	0	0	0	0	1	0	1	05	0.270
0	0	0	0	0	1	1	0	06	0.275
0	0	0	0	0	1	1	1	07	0.280
0	0	0	0	1	0	0	0	08	0.285
0	0	0	0	1	0	0	1	09	0.290
0	0	0	0	1	0	1	0	0A	0.295
0	0	0	0	1	0	1	1	0B	0.300
0	0	0	0	1	1	0	0	0C	0.305
0	0	0	0	1	1	0	1	0D	0.310
0	0	0	0	1	1	1	0	0E	0.315
0	0	0	0	1	1	1	1	0F	0.320
0	0	0	1	0	0	0	0	10	0.325
0	0	0	1	0	0	0	1	11	0.330
0	0	0	1	0	0	1	0	12	0.335
0	0	0	1	0	0	1	1	13	0.340
0	0	0	1	0	1	0	0	14	0.345
0	0	0	1	0	1	0	1	15	0.350
0	0	0	1	0	1	1	0	16	0.355
0	0	0	1	0	1	1	1	17	0.360
0	0	0	1	1	0	0	0	18	0.365
0	0	0	1	1	0	0	1	19	0.370
0	0	0	1	1	0	1	0	1A	0.375
0	0	0	1	1	0	1	1	1B	0.380
0	0	0	1	1	1	0	0	1C	0.385
0	0	0	1	1	1	0	1	1D	0.390
0	0	0	1	1	1	1	0	1E	0.395
0	0	0	1	1	1	1	1	1F	0.400
0	0	1	0	0	0	0	0	20	0.405
0	0	1	0	0	0	0	1	21	0.410
0	0	1	0	0	0	1	0	22	0.415
0	0	1	0	0	0	1	1	23	0.420
0	0	1	0	0	1	0	0	24	0.425
0	0	1	0	0	1	0	1	25	0.430
0	0	1	0	0	1	1	0	26	0.435
0	0	1	0	0	1	1	1	27	0.440
0	0	1	0	1	0	0	0	28	0.445

VID7	VID6	VID5	VID4	VID3	VID2	VID1	VID0	HEX	Voltage (V)
0	0	1	0	1	0	0	1	29	0.450
0	0	1	0	1	0	1	0	2A	0.455
0	0	1	0	1	0	1	1	2B	0.460
0	0	1	0	1	1	0	0	2C	0.465
0	0	1	0	1	1	0	1	2D	0.470
0	0	1	0	1	1	1	0	2E	0.475
0	0	1	0	1	1	1	1	2F	0.480
0	0	1	1	0	0	0	0	30	0.485
0	0	1	1	0	0	0	1	31	0.490
0	0	1	1	0	0	1	0	32	0.495
0	0	1	1	0	0	1	1	33	0.500
0	0	1	1	0	1	0	0	34	0.505
0	0	1	1	0	1	0	1	35	0.510
0	0	1	1	0	1	1	0	36	0.515
0	0	1	1	0	1	1	1	37	0.520
0	0	1	1	1	0	0	0	38	0.525
0	0	1	1	1	0	0	1	39	0.530
0	0	1	1	1	0	1	0	3A	0.535
0	0	1	1	1	0	1	1	3B	0.540
0	0	1	1	1	1	0	0	3C	0.545
0	0	1	1	1	1	0	1	3D	0.550
0	0	1	1	1	1	1	0	3E	0.555
0	0	1	1	1	1	1	1	3F	0.560
0	1	0	0	0	0	0	0	40	0.565
0	1	0	0	0	0	0	1	41	0.570
0	1	0	0	0	0	1	0	42	0.575
0	1	0	0	0	0	1	1	43	0.580
0	1	0	0	0	1	0	0	44	0.585
0	1	0	0	0	1	0	1	45	0.590
0	1	0	0	0	1	1	0	46	0.595
0	1	0	0	0	1	1	1	47	0.600
0	1	0	0	1	0	0	0	48	0.605
0	1	0	0	1	0	0	1	49	0.610
0	1	0	0	1	0	1	0	4A	0.615
0	1	0	0	1	0	1	1	4B	0.620
0	1	0	0	1	1	0	0	4C	0.625
0	1	0	0	1	1	0	1	4D	0.630
0	1	0	0	1	1	1	0	4E	0.635
0	1	0	0	1	1	1	1	4F	0.640
0	1	0	1	0	0	0	0	50	0.645
0	1	0	1	0	0	0	1	51	0.650

VID7	VID6	VID5	VID4	VID3	VID2	VID1	VID0	HEX	Voltage (V)
0	1	0	1	0	0	1	0	52	0.655
0	1	0	1	0	0	1	1	53	0.660
0	1	0	1	0	1	0	0	54	0.665
0	1	0	1	0	1	0	1	55	0.670
0	1	0	1	0	1	1	0	56	0.675
0	1	0	1	0	1	1	1	57	0.680
0	1	0	1	1	0	0	0	58	0.685
0	1	0	1	1	0	0	1	59	0.690
0	1	0	1	1	0	1	0	5A	0.695
0	1	0	1	1	0	1	1	5B	0.700
0	1	0	1	1	1	0	0	5C	0.705
0	1	0	1	1	1	0	1	5D	0.710
0	1	0	1	1	1	1	0	5E	0.715
0	1	0	1	1	1	1	1	5F	0.720
0	1	1	0	0	0	0	0	60	0.725
0	1	1	0	0	0	0	1	61	0.730
0	1	1	0	0	0	1	0	62	0.735
0	1	1	0	0	0	1	1	63	0.740
0	1	1	0	0	1	0	0	64	0.745
0	1	1	0	0	1	0	1	65	0.750
0	1	1	0	0	1	1	0	66	0.755
0	1	1	0	0	1	1	1	67	0.760
0	1	1	0	1	0	0	0	68	0.765
0	1	1	0	1	0	0	1	69	0.770
0	1	1	0	1	0	1	0	6A	0.775
0	1	1	0	1	0	1	1	6B	0.780
0	1	1	0	1	1	0	0	6C	0.785
0	1	1	0	1	1	0	1	6D	0.790
0	1	1	0	1	1	1	0	6E	0.795
0	1	1	0	1	1	1	1	6F	0.800
0	1	1	1	0	0	0	0	70	0.805
0	1	1	1	0	0	0	1	71	0.810
0	1	1	1	0	0	1	0	72	0.815
0	1	1	1	0	0	1	1	73	0.820
0	1	1	1	0	1	0	0	74	0.825
0	1	1	1	0	1	0	1	75	0.830
0	1	1	1	0	1	1	0	76	0.835
0	1	1	1	0	1	1	1	77	0.840
0	1	1	1	1	0	0	0	78	0.845
0	1	1	1	1	0	0	1	79	0.850
0	1	1	1	1	0	1	0	7A	0.855



VID7	VID6	VID5	VID4	VID3	VID2	VID1	VID0	HEX	Voltage (V)
0	1	1	1	1	0	1	1	7B	0.860
0	1	1	1	1	1	0	0	7C	0.865
0	1	1	1	1	1	0	1	7D	0.870
0	1	1	1	1	1	1	0	7E	0.875
0	1	1	1	1	1	1	1	7F	0.880
1	0	0	0	0	0	0	0	80	0.885
1	0	0	0	0	0	0	1	81	0.890
1	0	0	0	0	0	1	0	82	0.895
1	0	0	0	0	0	1	1	83	0.900
1	0	0	0	0	1	0	0	84	0.905
1	0	0	0	0	1	0	1	85	0.910
1	0	0	0	0	1	1	0	86	0.915
1	0	0	0	0	1	1	1	87	0.920
1	0	0	0	1	0	0	0	88	0.925
1	0	0	0	1	0	0	1	89	0.930
1	0	0	0	1	0	1	0	8A	0.935
1	0	0	0	1	0	1	1	8B	0.940
1	0	0	0	1	1	0	0	8C	0.945
1	0	0	0	1	1	0	1	8D	0.950
1	0	0	0	1	1	1	0	8E	0.955
1	0	0	0	1	1	1	1	8F	0.960
1	0	0	1	0	0	0	0	90	0.965
1	0	0	1	0	0	0	1	91	0.970
1	0	0	1	0	0	1	0	92	0.975
1	0	0	1	0	0	1	1	93	0.980
1	0	0	1	0	1	0	0	94	0.985
1	0	0	1	0	1	0	1	95	0.990
1	0	0	1	0	1	1	0	96	0.995
1	0	0	1	0	1	1	1	97	1.000
1	0	0	1	1	0	0	0	98	1.005
1	0	0	1	1	0	0	1	99	1.010
1	0	0	1	1	0	1	0	9A	1.015
1	0	0	1	1	0	1	1	9B	1.020
1	0	0	1	1	1	0	0	9C	1.025
1	0	0	1	1	1	0	1	9D	1.030
1	0	0	1	1	1	1	0	9E	1.035
1	0	0	1	1	1	1	1	9F	1.040
1	0	1	0	0	0	0	0	A0	1.045
1	0	1	0	0	0	0	1	A1	1.050
1	0	1	0	0	0	1	0	A2	1.055
1	0	1	0	0	0	1	1	A3	1.060

VID7	VID6	VID5	VID4	VID3	VID2	VID1	VID0	HEX	Voltage (V)
1	0	1	0	0	1	0	0	A4	1.065
1	0	1	0	0	1	0	1	A5	1.070
1	0	1	0	0	1	1	0	A6	1.075
1	0	1	0	0	1	1	1	A7	1.080
1	0	1	0	1	0	0	0	A8	1.085
1	0	1	0	1	0	0	1	A9	1.090
1	0	1	0	1	0	1	0	AA	1.095
1	0	1	0	1	0	1	1	AB	1.100
1	0	1	0	1	1	0	0	AC	1.105
1	0	1	0	1	1	0	1	AD	1.110
1	0	1	0	1	1	1	0	AE	1.115
1	0	1	0	1	1	1	1	AF	1.120
1	0	1	1	0	0	0	0	B0	1.125
1	0	1	1	0	0	0	1	B1	1.130
1	0	1	1	0	0	1	0	B2	1.135
1	0	1	1	0	0	1	1	B3	1.140
1	0	1	1	0	1	0	0	B4	1.145
1	0	1	1	0	1	0	1	B5	1.150
1	0	1	1	0	1	1	0	B6	1.155
1	0	1	1	0	1	1	1	B7	1.160
1	0	1	1	1	0	0	0	B8	1.165
1	0	1	1	1	0	0	1	B9	1.170
1	0	1	1	1	0	1	0	BA	1.175
1	0	1	1	1	0	1	1	BB	1.180
1	0	1	1	1	1	0	0	BC	1.185
1	0	1	1	1	1	0	1	BD	1.190
1	0	1	1	1	1	1	0	BE	1.195
1	0	1	1	1	1	1	1	BF	1.200
1	1	0	0	0	0	0	0	C0	1.205
1	1	0	0	0	0	0	1	C1	1.210
1	1	0	0	0	0	1	0	C2	1.215
1	1	0	0	0	0	0	1	C3	1.220
1	1	0	0	0	1	0	0	C4	1.225
1	1	0	0	0	1	0	1	C5	1.230
1	1	0	0	0	1	1	0	C6	1.235
1	1	0	0	0	1	1	1	C7	1.240
1	1	0	0	1	0	0	0	C8	1.245
1	1	0	0	1	0	0	1	C9	1.250
1	1	0	0	1	0	1	0	CA	1.255
1	1	0	0	1	0	1	1	CB	1.260
1	1	0	0	1	1	0	0	CC	1.265

VID7	VID6	VID5	VID4	VID3	VID2	VID1	VID0	HEX	Voltage (V)
1	1	0	0	1	1	0	1	CD	1.270
1	1	0	0	1	1	1	0	CE	1.275
1	1	0	0	1	1	1	1	CF	1.280
1	1	0	1	0	0	0	0	D0	1.285
1	1	0	1	0	0	0	1	D1	1.290
1	1	0	1	0	0	1	0	D2	1.295
1	1	0	1	0	0	1	1	D3	1.300
1	1	0	1	0	1	0	0	D4	1.305
1	1	0	1	0	1	0	1	D5	1.310
1	1	0	1	0	1	1	0	D6	1.315
1	1	0	1	0	1	1	1	D7	1.320
1	1	0	1	1	0	0	0	D8	1.325
1	1	0	1	1	0	0	1	D9	1.330
1	1	0	1	1	0	1	0	DA	1.335
1	1	0	1	1	0	1	1	DB	1.340
1	1	0	1	1	1	0	0	DC	1.345
1	1	0	1	1	1	0	1	DD	1.350
1	1	0	1	1	1	1	0	DE	1.355
1	1	0	1	1	1	1	1	DF	1.360
1	1	1	0	0	0	0	0	E0	1.365
1	1	1	0	0	0	0	1	E1	1.370
1	1	1	0	0	0	1	0	E2	1.375
1	1	1	0	0	0	1	1	E3	1.380
1	1	1	0	0	1	0	0	E4	1.385
1	1	1	0	0	1	0	1	E5	1.390
1	1	1	0	0	1	1	0	E6	1.395
1	1	1	0	0	1	1	1	E7	1.400
1	1	1	0	1	0	0	0	E8	1.405
1	1	1	0	1	0	0	1	E9	1.410
1	1	1	0	1	0	1	0	EA	1.415
1	1	1	0	1	0	1	1	EB	1.420
1	1	1	0	1	1	0	0	EC	1.425
1	1	1	0	1	1	0	1	ED	1.430
1	1	1	0	1	1	1	0	EE	1.435
1	1	1	0	1	1	1	1	EF	1.440
1	1	1	1	0	0	0	0	F0	1.445
1	1	1	1	0	0	0	1	F1	1.450
1	1	1	1	0	0	1	0	F2	1.455
1	1	1	1	0	0	1	1	F3	1.460
1	1	1	1	0	1	0	0	F4	1.465
1	1	1	1	0	1	0	1	F5	1.470

VID7	VID6	VID5	VID4	VID3	VID2	VID1	VID0	HEX	Voltage (V)
1	1	1	1	0	1	1	0	F6	1.475
1	1	1	1	0	1	1	1	F7	1.480
1	1	1	1	1	0	0	0	F8	1.485
1	1	1	1	1	0	0	1	F9	1.490
1	1	1	1	1	0	1	0	FA	1.495
1	1	1	1	1	0	1	1	FB	1.500
1	1	1	1	1	1	0	0	FC	1.505
1	1	1	1	1	1	0	1	FD	1.510
1	1	1	1	1	1	1	0	FE	1.515
1	1	1	1	1	1	1	1	FF	1.520

Table 2. Standard Serial VID Commands

Code	Commands	Master Payload Contents	Slave Payload Contents	Description
00h	not supported	N/A	N/A	N/A
01h	SetVID_Fast	VID code	N/A	1. Set new target VID code, VR jumps to new VID target with controlled default "fast" slew rate 13.2mV/μs. 2. Set VR_Settled when VR reaches target VID voltage.
02h	SetVID_Slow	VID code	N/A	1. Set new target VID code, VR jumps to new VID target with controlled default "slow" slew rate 3.3mV/μs. 2. Set VR_Settled when VR reaches target VID voltage.
03h	SetVID_Decay	VID code	N/A	1. Set new target VID code, VR jumps to new VID target, but does not control the slew rate. The output voltage decays at a rate proportional to the load current. 2. Low-side MOSFET is not allowed to sync current. 3. ACK 11b when target higher than current VOUT voltage. 4. ACK 10b when target lower than current VOUT voltage.
04h	SetPS	Byte indicating power states	N/A	1. Set power state. 2. ACK 11b when not support. 3. ACK 10b even slave not change configuration. 4. ACK 11b for still running SetVID command. 5. VR remains in lower state when receiving SetVID (decay).
05h	SetRegADR	Pointer of registers in data table	N/A	1. Set the pointer of the data register. 2. ACK 11b for address outside of support. 3. NAK 01b for SetADR (all call).
06h	SetReg DAT	New data register content	N/A	1. Write the contents to the data register. 2. NAK 01b for SetReg (all call).
07h	GetReg		Specified Register Contents	1. Slave returns the contents of the specified register as the payload. 2. ACK 11b for non support address. 3. NAK 01b for GetReg (all call).
08h to 1Fh	not supported	N/A	N/A	N/A

**Table3. SVID Data and Configuration Register**

Index	Register Name	Description	Access	Default
00h	Vendor ID	Vendor ID	RO, Vendor	1Eh
01h	Product ID	Product ID	RO, Vendor	76h
02h	Product Revision	Product Revision	RO, Vendor	00h
05h	Protocol ID	SVID Protocol ID	RO, Vendor	06h
06h	Capability	Bit mapped register, identifies the SVID VR Capabilities and which of the optional telemetry register is supported.	RO, Vendor	81h
10h	Status_1	Data register containing the status of VR.	R-M, W-PWM	00h
11h	Status_2	Data register containing the status of transmission.	R-M, W-PWM	00h
12h	Temperature Zone	Data register showing temperature zone that has been entered.	R-M, W-PWM	00h
15h	IOUT	At PS0 to PS2, IOUT report data from ADC sense IMON voltage. When power state at PS3, the IOUT report data is fix to 04h.	R-M, W-PWM	00h
1Ch	Status_2_lastread	The register contains a copy of the status_2.	R-M, W-PWM	00h
21h	ICC Max	Data register containing the ICC max the platform supports. Binary format in A IE 64h = 100A.	RO, Platform	7Dh
22h	Temp Max	Data register containing the temperature max the platform supports. Binary format in °C IE 64h = 100°C.	RO, Platform	64h
24h	SR-fast	Data register containing the capability of fast slew rate the platform can sustain. Binary format in mV/μS IE 0Ch = 12mV/μs.	RO	0Ch
25h	SR-slow	Data register containing the capability of slow slew rate. Binary format in mV/μS IE 03h = 3mV/μS.	RO	03h
2Ah	Slow Slew Rate Selector	The register is programmed by master and set the slow slew rate.	RW, Master	02h
2Bh	PS4 Exit Latency	Data register containing the latency of exiting PS4.	RO	77h
2Ch	PS3 Exit Latency	Data register containing the latency of exiting PS3.	RO	3Fh
2Dh	Enable to Ready for SVID	Data register containing the latency from Enable assertion to the VR being ready to accept an SVID command.	RO	BAh
30h	VOUT Max	The register is programmed by master and sets the maximum VID.	RW, Master	D5h
31h	VID Setting	Data register containing currently programmed VID.	RW, Master	00h
32h	Power State	Register containing the current programmed power state.	RW, Master	00h
33h	Offset	Set offset in VID steps.	RW, Master	00h
34h	Multi VR Configuration	Bit mapped data register which configures multiple VRs behavior on the same bus.	RW, Master	01h
35h	Pointer	Scratch pad register for temporary storage of the SetRegADR pointer register.	RW, Master	30h

Notes :

RO = Read Only

RW = Read/Write

R-M = Read by Master

W-PWM = Write by PWM Only

Vendor = Hard Coded by VR Vendor

Platform = Programmed by the Master

PWM = Programmed by the VR Control IC

## Absolute Maximum Ratings (Note 1)

- VCC, PVCC to GND ----- -0.3V to 6V
- RGND to GND ----- -0.3V to 0.3V
- TONSET to GND ----- -0.3V to 7.5V
- BOOT to PHASE ----- -0.3V to 6.5V
- PHASE to GND
  - DC ----- -0.3V to 32V
  - < 20ns ----- -8V to 38V
- LGATE to GND
  - DC ----- (GND - 0.3V) to (PVCC + 0.3V)
  - < 20ns ----- (GND - 5V) to (PVCC + 5V)
- UGATE to GND
  - DC ----- (V<sub>PHASE</sub> - 0.3V) to (V<sub>BOOT</sub> + 0.3V)
  - < 20ns ----- (V<sub>PHASE</sub> - 5V) to (V<sub>BOOT</sub> + 5V)
- Other Pins ----- -0.3V to (V<sub>CC</sub> + 0.3V)
- Power Dissipation, P<sub>D</sub> @ T<sub>A</sub> = 25°C
  - WQFN-32L 4x4 ----- 3.59W
- Package Thermal Resistance (Note 2)
  - WQFN-32L 4x4, θ<sub>JA</sub> ----- 27.8°C/W
  - WQFN-32L 4x4, θ<sub>JC</sub> ----- 7°C/W
- Junction Temperature ----- 150°C
- Lead Temperature (Soldering, 10 sec.) ----- 260°C
- Storage Temperature Range ----- -65°C to 150°C
- ESD Susceptibility (Note 3)
  - HBM (Human Body Model) ----- 2kV

## Recommended Operating Conditions (Note 4)

- Supply Voltage, PVCC ----- 4.5V to 5.5V
- Junction Temperature Range ----- -40°C to 125°C
- Ambient Temperature Range ----- -40°C to 85°C

## Electrical Characteristics

(V<sub>CC</sub> = 5V, T<sub>A</sub> = 25°C, unless otherwise specified)

Parameter	Symbol	Test Conditions	Min	Typ	Max	Unit
<b>Supply Input</b>						
Supply Voltage	V <sub>CC</sub>		4.5	5	5.5	V
Supply Current	I <sub>VCC</sub>	V <sub>EN</sub> = H, No switching	--	3.6	--	mA
Supply Current at PS3	I <sub>VCC_PS3</sub>	V <sub>EN</sub> = H, No switching	--	1.2	--	mA
Supply Current at PS4	I <sub>VCC_PS4</sub>	V <sub>EN</sub> = H, No switching	--	--	200	μA
Power Supply Voltage	PVCC		4.5	--	5.5	V
Power Supply Current	I <sub>PVCC</sub>	No Switching	--	80	--	μA
Shutdown Current	I <sub>SHDN</sub>	V <sub>EN</sub> = 0V	--	--	5	μA

Parameter	Symbol	Test Conditions	Min	Typ	Max	Unit
<b>Reference and DAC</b>						
DAC Accuracy	V <sub>FB</sub>	V <sub>DAC</sub> = 0.8V – 1.52V	-0.5	0	0.5	% of VID
		V <sub>DAC</sub> = 0.5V – 0.795V	-8	0	8	mV
		V <sub>DAC</sub> = 0.25V – 0.495V	-10	0	10	
<b>PVCC Power On Reset (POR)</b>						
POR Threshold	V <sub>POR_r</sub>	PVCC Rising	--	4.2	4.5	V
	V <sub>POR_f</sub>	PVCC Falling	3.4	3.84	--	
POR Hysteresis	V <sub>POR_HYS</sub>		--	360	--	mV
<b>Slew Rate</b>						
Dynamic VID Slew Rate	SR	SetVID Slow	2.5	3.3	3.6	mV/μs
		SetVID Fast	12.5	13.2	14.4	
<b>EA Amplifier</b>						
DC Gain	A <sub>DC</sub>	R <sub>L</sub> = 47kΩ	70	--	--	dB
Gain-Bandwidth Product	G <sub>BW</sub>	C <sub>LOAD</sub> = 5pF	--	5	--	MHz
Slew Rate	S <sub>REA</sub>	C <sub>LOAD</sub> = 10pF (Gain = -4, R <sub>F</sub> = 47kΩ, V <sub>OUT</sub> = 0.5V to -3V)	5	--	--	V/μs
Output Voltage Range	V <sub>COMP</sub>	R <sub>L</sub> = 47kΩ	0.5	--	3.6	V
Maximum Source/Sink Current	I <sub>OUTEA</sub>	V <sub>COMP</sub> = 2V	--	5	--	mA
<b>Load-Line Current Gain Amplifier</b>						
Input Offset Voltage	V <sub>ILOFS</sub>	V <sub>IMON</sub> = 1V	-5	--	5	mV
Current Gain	A <sub>ILGAIN</sub>	V <sub>IMON</sub> - V <sub>VREF</sub> = 1V, V <sub>FB</sub> = V <sub>COMP</sub> = 1V	--	1/3	--	A/A
<b>Current Sensing Amplifier</b>						
Input Offset Voltage	V <sub>OCS</sub>		-0.8	--	0.8	mV
Impedance at Positive Input	R <sub>ISENP</sub>		1	--	--	MΩ
Current Mirror Gain	A <sub>MIRROR</sub>	ΔI <sub>MON</sub> / ΔI <sub>SENN</sub>	0.97	1	1.03	A/A
<b>TON Setting</b>						
TONSET Pin Voltage	V <sub>TON</sub>	I <sub>RTON</sub> = $\frac{20}{3}$ μA, V <sub>DAC</sub> = 1V, SET3 = f <sub>SW</sub> > 500kHz	--	1	--	V
On-Time Setting	T <sub>ON</sub>	I <sub>RTON</sub> = $\frac{20}{3}$ μA, V <sub>DAC</sub> = 1V, SET3 = f <sub>SW</sub> > 500kHz	256	285	314	ns
Input Current Range	I <sub>RTON</sub>	V <sub>DAC</sub> = 1V, SET3 = f <sub>SW</sub> > 500kHz	2	--	24	μA
Minimum Off-time	T <sub>OFF</sub>	I <sub>RTON</sub> = $\frac{20}{3}$ μA, V <sub>DAC</sub> = 1V, SET3 = f <sub>SW</sub> > 500kHz	--	150	--	ns

Parameter	Symbol	Test Conditions	Min	Typ	Max	Unit
<b>IBIAS</b>						
IBIAS Pin Voltage	V <sub>IBIAS</sub>	R <sub>IBIAS</sub> = 100kΩ	1.95	2	2.05	V
<b>Protections</b>						
Under Voltage Lockout Threshold	V <sub>UVLO</sub>		4.1	4.3	4.45	V
	ΔV <sub>UVLO</sub>	Falling edge hysteresis	--	200	--	mV
Over Voltage Protection Threshold	V <sub>OV</sub>	VID higher than 1.2V	VID + 300	VID + 350	VID + 400	mV
		VID lower than 1.2V	1500	1550	1600	
Under Voltage Protection Threshold	V <sub>UV</sub>	Respect to VID voltage	-400	-350	-300	mV
Negative Voltage Protection Threshold	V <sub>NV</sub>		-100	-50	--	mV
<b>EN and VR_READY</b>						
EN Input Voltage	Logic-High	V <sub>IH</sub>	0.7	--	--	V
	Logic-Low	V <sub>IL</sub>	--	--	0.3	
Leakage Current of EN			-1	--	1	μA
VR_READY Delay	T <sub>VR_READY</sub>	V <sub>SEN</sub> = V <sub>Boot</sub> to VR_READY High	3	5	6	μs
VR_READY Pull Low Voltage	V <sub>PGOOD</sub>	I <sub>VR_READY</sub> = 10mA	--	--	0.13	V
<b>Serial VID and VR_HOT</b>						
VCLK, VDIO	V <sub>IH</sub>	Respect to INTEL Spec. with 50mV hysteresis	0.65	--	--	V
	V <sub>IL</sub>		--	--	0.45	
Leakage Current of VCLK, VDIO, ALERT and VR_HOT	I <sub>LEAK_IN</sub>		-1	--	1	μA
VDIO, ALERT and VR_HOT Pull Low Voltage		I <sub>VDIO</sub> = 10mA	--	--	0.13	V
		I <sub>ALERT</sub> = 10mA				
		I <sub>VR_HOT</sub> = 10mA				
<b>VREF and VBOOT</b>						
VREF Voltage	V <sub>REF</sub>		0.55	0.6	0.65	V
VBOOT Voltage	V <sub>BOOT</sub>	V <sub>BOOT</sub> Voltage set to 1V	0.995	1	1.005	V
<b>ADC</b>						
Digital IMON Set	V <sub>IMON</sub>	V <sub>IMON</sub> - V <sub>IMON_INI</sub> = 0.4V	--	255	--	Decimal
		V <sub>IMON</sub> - V <sub>IMON_INI</sub> = 0.2V	--	128	--	
		V <sub>IMON</sub> - V <sub>IMON_INI</sub> = 0V	--	0	--	
Update Period of IMON	T <sub>IMON</sub>		--	400	--	μs
TSEN Threshold for Tmp_Zone [7] transition	V <sub>TSEN</sub>	100°C	--	1.887	--	V
TSEN Threshold for Tmp_Zone [6] transition	V <sub>TSEN</sub>	97°C	--	1.837	--	V
TSEN Threshold for Tmp_Zone [5] transition	V <sub>TSEN</sub>	94°C	--	1.784	--	V



Parameter	Symbol	Test Conditions	Min	Typ	Max	Unit
TSEN Threshold for Tmp_Zone [4] transition	V <sub>TSEN</sub>	91°C	--	1.729	--	V
TSEN Threshold for Tmp_Zone [3] transition	V <sub>TSEN</sub>	88°C	--	1.672	--	V
TSEN Threshold for Tmp_Zone [2] transition	V <sub>TSEN</sub>	85°C	--	1.612	--	V
TSEN Threshold for Tmp_Zone [1] transition	V <sub>TSEN</sub>	82°C	--	1.551	--	V
TSEN Threshold for Tmp_Zone [0] transition	V <sub>TSEN</sub>	75°C	--	1.402	--	V
Update Period of TSEN	t <sub>TSEN</sub>		--	50	--	μs
Digital Code of ICCMAX	C <sub>ICCMAX1</sub>	V <sub>ICCMAX</sub> = 0.7V	58	64	70	Decimal
	C <sub>ICCMAX2</sub>	V <sub>ICCMAX</sub> = 0.8V	122	128	134	
	C <sub>ICCMAX3</sub>	V <sub>ICCMAX</sub> = 1V	248	256	260	
<b>Switching Time</b>						
UGATE Rise Time	t <sub>UGATEr</sub>	3nF load	--	8	--	ns
UGATE Fall Time	t <sub>UGATEf</sub>	3nF load	--	8	--	ns
LGATE Rise Time	t <sub>LGATEr</sub>	3nF load	--	8	--	ns
LGATE Fall Time	t <sub>LGATEf</sub>	3nF load	--	4	--	ns
UGATE Turn-Off Propagation Delay	t <sub>PDLU</sub>	Outputs Unloaded	--	35	--	ns
LGATE Turn-Off Propagation Delay	t <sub>PDLL</sub>	Outputs Unloaded	--	35	--	ns
UGATE Turn-On Propagation Delay	t <sub>PDHU</sub>	Outputs Unloaded	--	20	--	ns
LGATE Turn-On Propagation Delay	t <sub>PDHL</sub>	Outputs Unloaded	--	20	--	ns
UGATE/LGATE Tri-State Propagation Delay	t <sub>PTS</sub>	Outputs Unloaded	--	35	--	ns
<b>Output</b>						
UGATE Driver Source Resistance	R <sub>UGATEsr</sub>	100mA Source Current	--	1	--	Ω
UGATE Driver Source Current	I <sub>UGATEsr</sub>	V <sub>UGATE</sub> - V <sub>PHASE</sub> = 2.5V	--	2	--	A
UGATE Driver Sink Resistance	R <sub>UGATEsk</sub>	100mA Sink Current	--	1	--	Ω
UGATE Driver Sink Current	I <sub>UGATEsk</sub>	V <sub>UGATE</sub> - V <sub>PHASE</sub> = 2.5V	--	2	--	A
LGATE Driver Source Resistance	R <sub>LGATEsr</sub>	100mA Source Current	--	1	--	Ω
LGATE Driver Source Current	I <sub>LGATEsr</sub>	V <sub>LGATE</sub> = 2.5V	--	2	--	A
LGATE Driver Sink Resistance	R <sub>LGATEsk</sub>	100mA Sink Current	--	0.5	--	Ω
LGATE Driver Sink Current	I <sub>LGATEsk</sub>	V <sub>LGATE</sub> = 2.5V	--	4	--	A

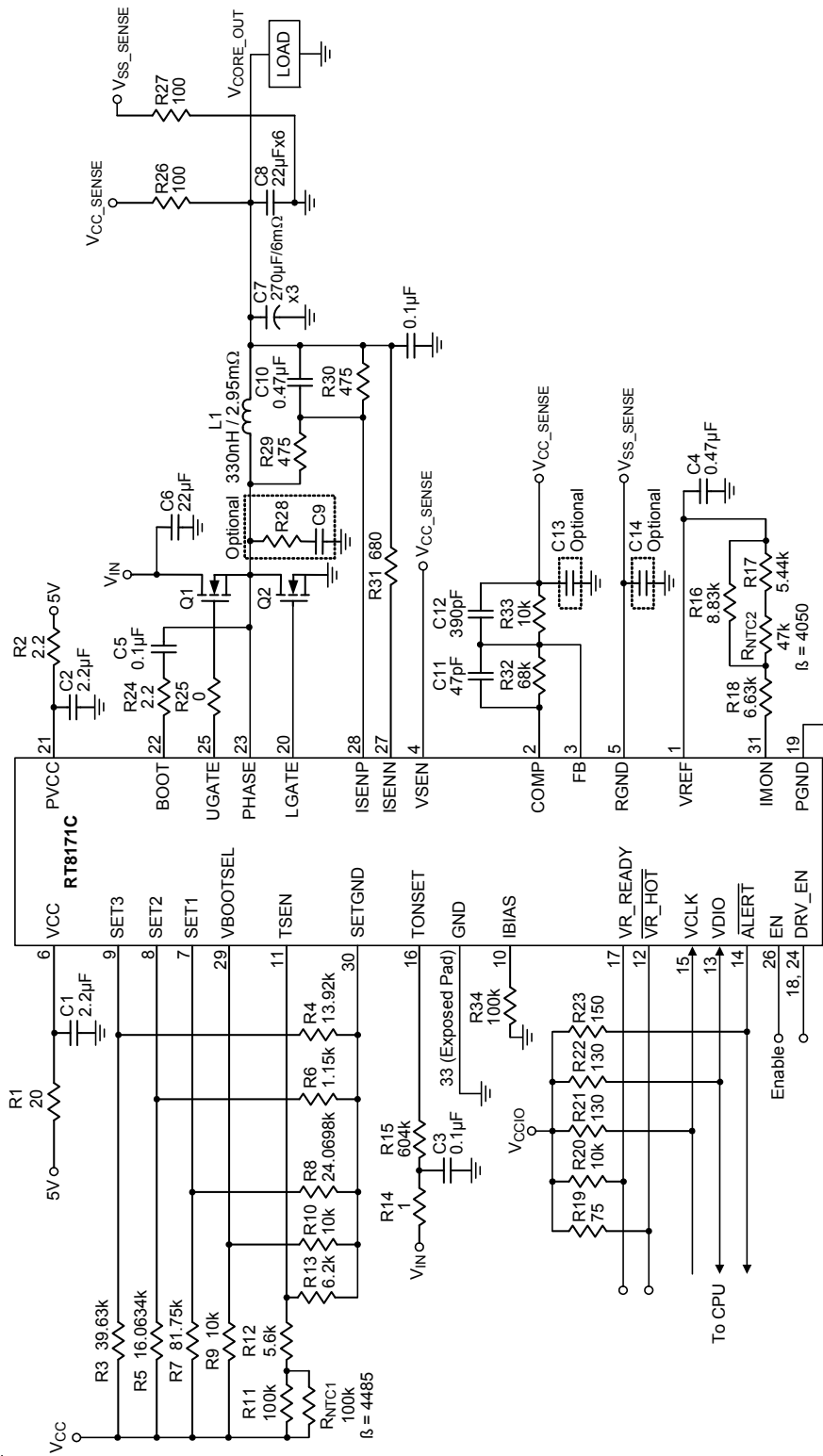
**Note 1.** Stresses beyond those listed “Absolute Maximum Ratings” may cause permanent damage to the device. These are stress ratings only, and functional operation of the device at these or any other conditions beyond those indicated in the operational sections of the specifications is not implied. Exposure to absolute maximum rating conditions may affect device reliability.

**Note 2.**  $\theta_{JA}$  is measured at  $T_A = 25^\circ\text{C}$  on a high effective thermal conductivity four-layer test board per JEDEC 51-7.  $\theta_{JC}$  is measured at the exposed pad of the package.

**Note 3.** Devices are ESD sensitive. Handling precaution is recommended.

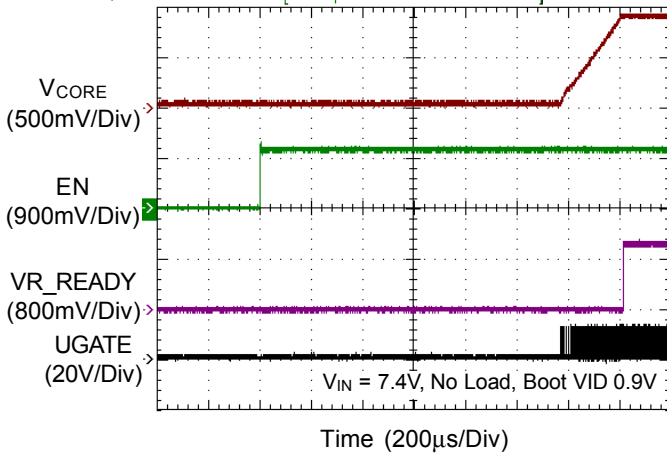
**Note 4.** The device is not guaranteed to function outside its operating conditions.

Typical Application Circuit

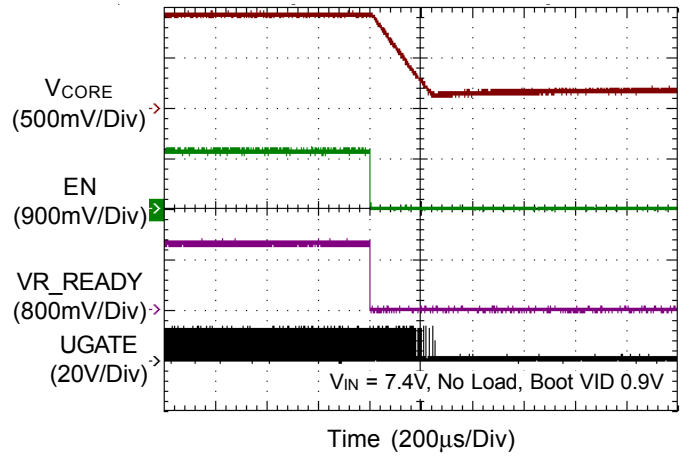


Typical Operating Characteristics

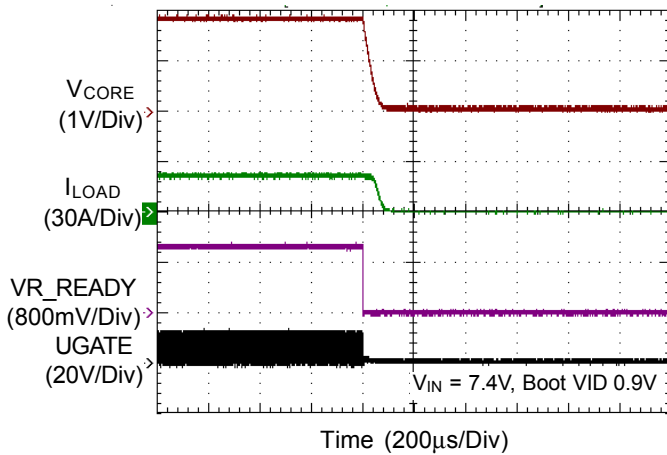
CORE VR Power On from EN



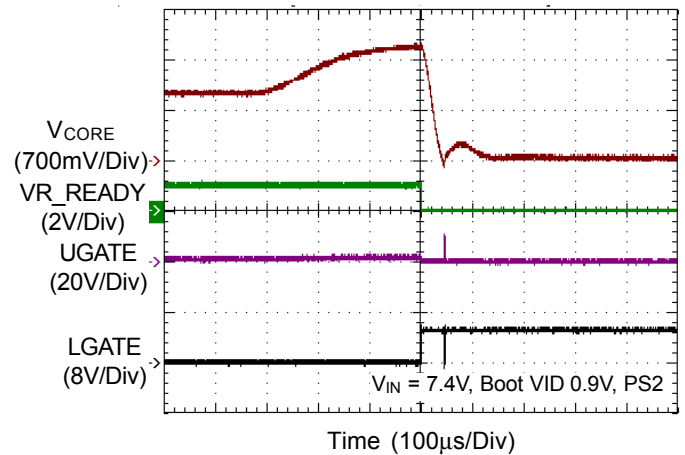
CORE VR Power Off from EN



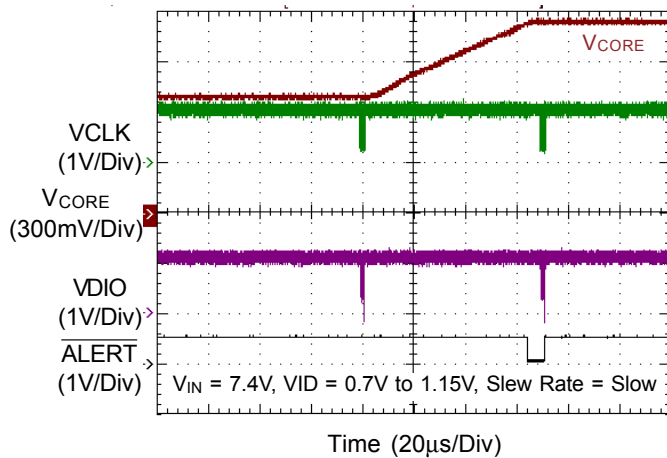
CORE VR OCP



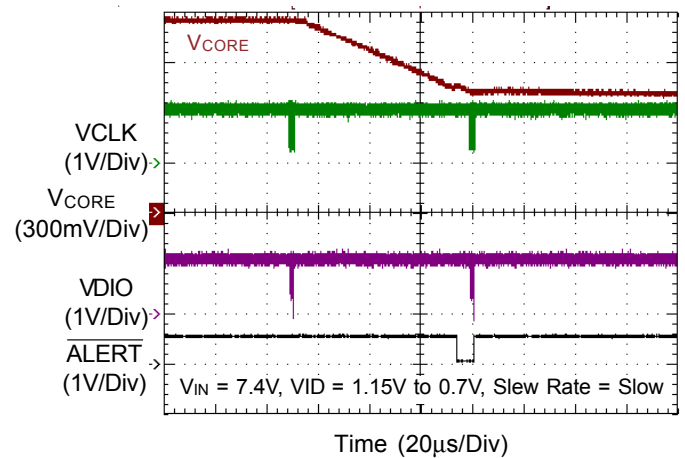
CORE VR OVP



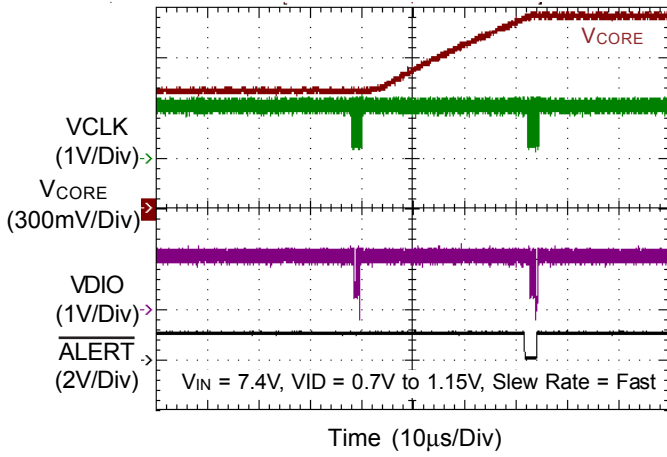
CORE VR Dynamic VID Up



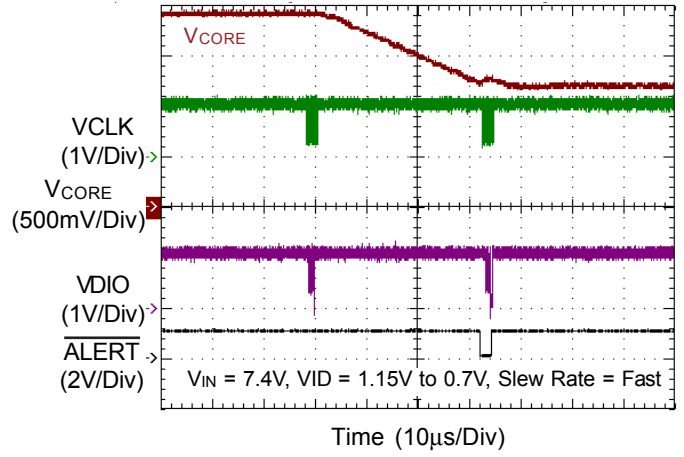
CORE VR Dynamic VID Down



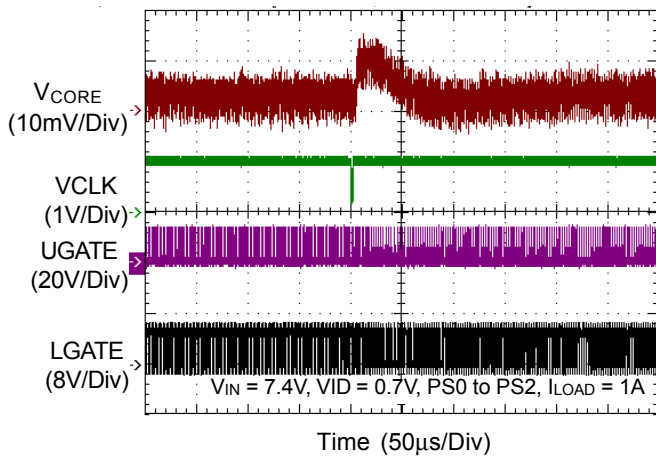
CORE VR Dynamic VID Up



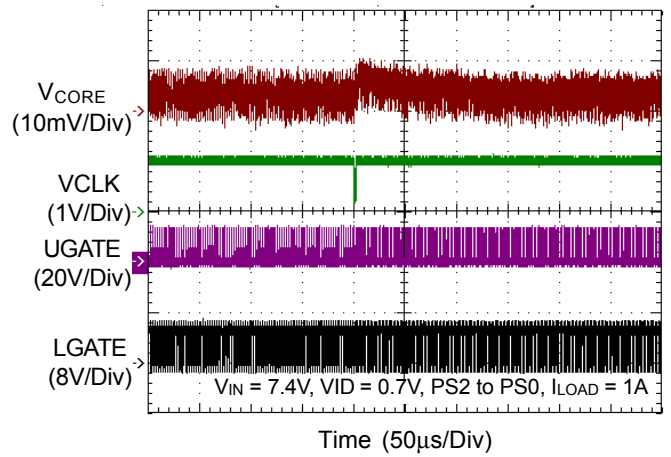
CORE VR Dynamic VID Down



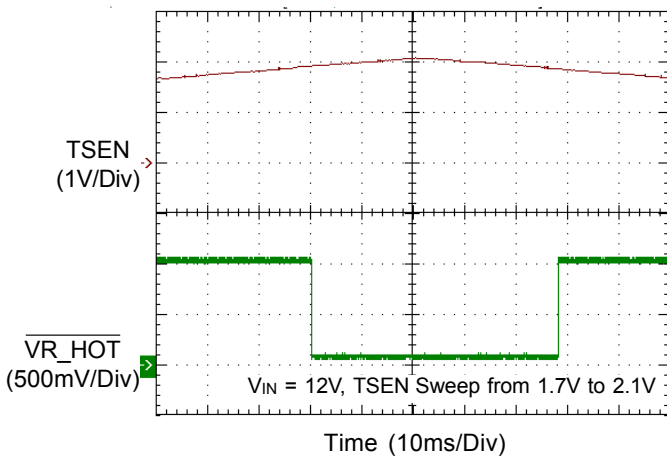
CORE VR Mode Transient



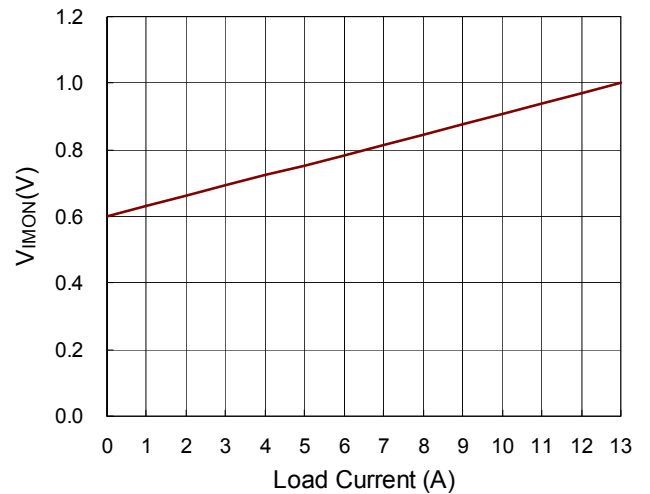
CORE VR Mode Transient



CORE VR Thermal Monitoring



V<sub>IMON</sub> vs. Load Current



### Applications Information

The RT8171C is a single phase synchronous Buck controller designed to meet Intel VR12.1 compatible CPU specification with a serial SVID control interface. The controller uses an ADC to implement all kinds of settings to save a total number of pins for easily using and increasing PCB space utilization.

#### G-NAVP™ Control Mode

The RT8171C adopts the G-NAVP™ controller, which is a current mode constant on-time control with DC offset cancellation. The approach can not only improve DC offset problem for increasing system accuracy but also provide fast transient response. For the RT8171C, when current feedback signal reaches comp signal to generate an on-time width to achieve PWM modulation. Figure 1 shows the basic G-NAVP™ behavior waveforms in Continuous Conduct Mode (CCM).

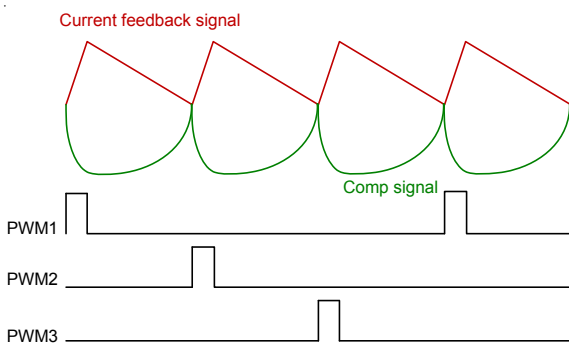


Figure 1 (a). G-NAVP™ Behavior Waveforms in CCM in Steady State

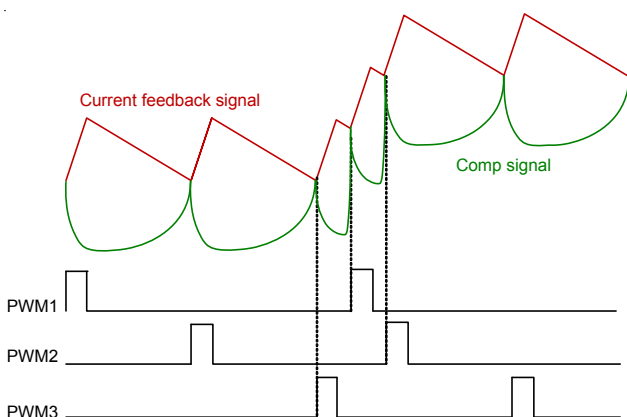


Figure 1 (b). G-NAVP™ Behavior Waveforms in CCM in Load Transient

#### Diode Emulation Mode (DEM)

As well-known, the dominate power loss is switching related loss during light load, hence VR needs to be operated in asynchronous mode (or called discontinuous conduct mode, DCM) to reduce switching related loss since switching frequency is dependent on loading in the asynchronous mode. RT8171C can operate in Diode Emulation Mode (DEM) in order to improve light load efficiency. In DEM operation, the behavior of the low-side MOSFET needs to work like a diode, that is, the low-side MOSFET will be turned on when the DCR network voltage is higher than the ZCD\_TH, i.e. the inductor current follows from source to drain of low-side MOSFET. The low-side MOSFET will be turned off when DCR network is lower than the ZCD\_TH, i.e. reversed current is not allowed. The positive voltage threshold (ZCD threshold) of low-side MOSFET turn off is set by the SET3 pin in Table 9. Figure 2 shows the control behavior in DEM. Figure 3 shows the G-NAVP™ operation in DEM to illustrate the control behaviors. When the load decreases, the discharge time of output capacitors increases during UGATE and LGATE are turned off. Hence, the switching frequency and switching losses will be reduced to improve efficiency in light load condition.

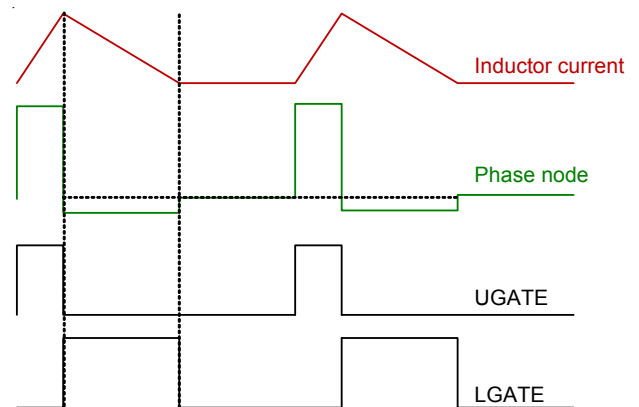
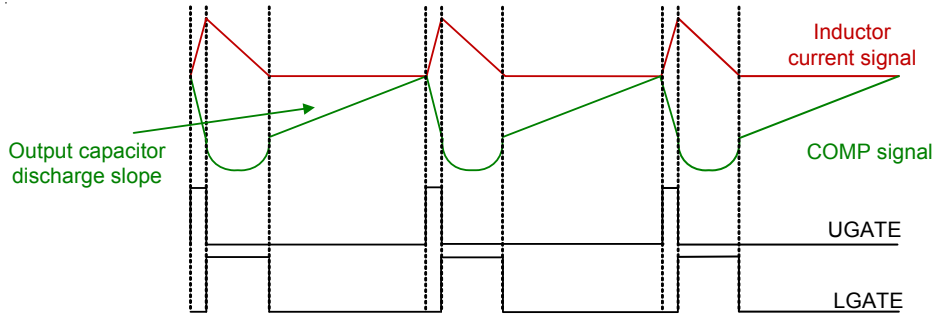
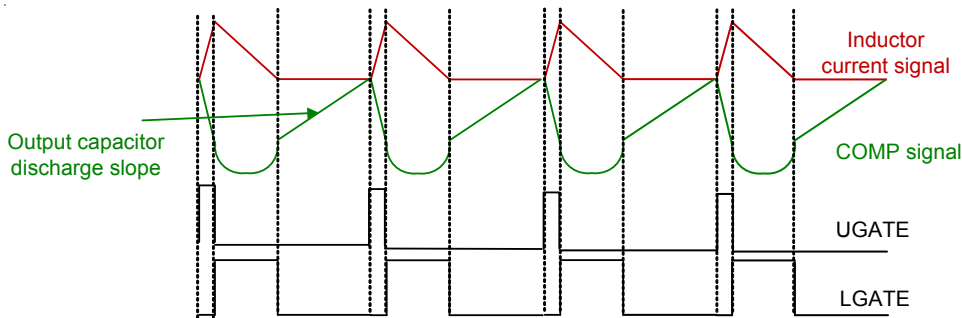


Figure 2. Diode Emulation Mode (DEM) in Steady State



(a) Lighter Load Condition in DEM.

Capacitor discharge slope is lower than Figure 3 (b).



(b) Load Increased Condition in DEM.

Capacitor discharge slope is Higher than Figure 3 (a).

Figure 3. G-NAVP™ Operation in DEM.

**Switching Frequency (TON) Setting**

RT8171C is one kind of constant on-time control. The patented CCRCOT (Constant Current Ripple COT) technology can generate an adaptive on-time with input voltage and VID code to obtain a constant current ripple. So that the output voltage ripple can be controlled nearly like a constant as different input and output voltage change. Connect a resistor  $R_{TON}$  between input voltage terminal and TONSET pin to set the on-time width.

In order to meet Intel VR12.1 quiescent power specification at PS3 and PS4, RT8171C provides two different coefficients for  $T_{ON}$ . And these coefficients can be setting by SET3 pin, as shown in Table 9. So, RT8171C can pass quiescent power for all range switching frequency at PS3 and PS4 under battery mode condition.

For SET3 pin  $f_{SW} \leq 500kHz$ ,

$$T_{ON} = \frac{R_{TON} \times C \times 0.22}{V_{IN} - V_{DAC}} \quad (V_{DAC} < 1.2V)$$

$$T_{ON} = \frac{R_{TON} \times C \times V_{DAC} / 5.45}{V_{IN} - 1.2} \quad (V_{DAC} \geq 1.2V)$$

For SET3 pin  $f_{SW} > 500kHz$

$$T_{ON} = \frac{R_{TON} \times C \times 0.11}{V_{IN} - V_{DAC}} \quad (V_{DAC} < 1.2V)$$

$$T_{ON} = \frac{R_{TON} \times C \times V_{DAC} / 10.9}{V_{IN} - 1.2} \quad (V_{DAC} \geq 1.2V)$$

Where  $C = 18.2pF$ . By using the relationship between  $T_{ON}$  and  $f_{SW}$ , the switching frequency  $f_{SW}$  is :

$$f_{SW(MAX)} = \left( \frac{1}{T_{ON(MAX)}} \right) \times \left( \frac{V_{DAC(MAX)}}{V_{IN(MAX)}} \right)$$

Where

$f_{SW(MAX)}$  is the maximum switching frequency.

$V_{DAC(MAX)}$  is the maximum VDAC of application.

$V_{IN(MAX)}$  is the maximum application input voltage.

$T_{ON(MAX)}$  is the on-time width.

When load increases, on-time keeps constant. The off-time width will be reduced so that loading can load more power from input terminal to regulate output voltage. Hence, the loading current increases in case the switching frequency also increases. Higher switching frequency

operation can reduce power component's size and PCB space, trading off the whole efficiency since switching related loss increases, vice versa.

Please note that the actual switching frequency is also dependent on the losses in the main power stage and the driver characteristic. So, in order to get more accuracy switching frequency the form of the switching frequency can be rewrote as below :

$$f_{SW(MAX)} = \frac{V_{DAC(MAX)} + I_{CC(MAX)} \times (DCR + R_{ON-LS} - R_{LL})}{[V_{IN(MAX)} + I_{CC(MAX)} \times (R_{ON-LS} - R_{ON-HS})] \times (T_{ON} - T_D + T_{ON,VAR}) + I_{CC(MAX)} \times R_{ON-LS} \times T_D}$$

Where  $f_{SW(MAX)}$  is the maximum switching frequency,  $V_{DAC(MAX)}$  is the maximum application VID,  $V_{IN(MAX)}$  is the maximum input voltage,  $I_{CC(MAX)}$  is the maximum load current, DCR is the inductor DC resistance,  $R_{ON-HS}$  is the equivalent high-side  $R_{DS(ON)}$ ,  $R_{ON-LS}$  is the equivalent low-side  $R_{DS(ON)}$ ,  $T_D$  is the driver dead time ,  $R_{LL}$  is the loadline value,  $T_{ON,VAR}$  is the  $T_{ON}$  variation value.

Above method can keep the constant current ripple, whether  $V_{IN}$  and VID are variation. But this method will generate large power consumption on TONSET pin. In order to reduce the power consumption on TONSET pin, here can connect a resistor  $R_{TON}$  between  $V_{CC}$  and TONSET pin to set the on-time width.

The on-time width equation can be rewritten as below.

For SET3 pin  $f_{SW} \leq 500kHz$ ,

$$T_{ON} = \frac{R_{TON} \times C \times 0.22}{V_{CC} - V_{DAC}} \quad (V_{DAC} < 1.2V)$$

$$T_{ON} = \frac{R_{TON} \times C \times V_{DAC} / 5.45}{V_{CC} - 1.2} \quad (V_{DAC} \geq 1.2V)$$

For SET3 pin  $f_{SW} > 500kHz$ ,

$$T_{ON} = \frac{R_{TON} \times C \times 0.11}{V_{CC} - V_{DAC}} \quad (V_{DAC} < 1.2V)$$

$$T_{ON} = \frac{R_{TON} \times C \times V_{DAC} / 10.9}{V_{CC} - 1.2} \quad (V_{DAC} \geq 1.2V)$$

This method can saving power dissipation on TONSET pin but it will loss the constant current ripple merit. So, this method can be used under  $V_{IN}$  is fixed application.

### Current Sense

In the RT8171C, the current signal is used for load-line setting and OC (Over Current) protection. The inductor current sense method adopts the lossless current sensing for allowing high efficiency as illustrated in the Figure 4.

When inductance and  $DCR_x$  time constant is equal to  $R_x C_x$  filter network time constant, a voltage  $I_{Lx} \times DCR_x$  will drop on  $C_x$  to generate inductor current signal. According to the Figure 4, the ISENN is as follows :

$$ISENN = \frac{I_{Lx} \times DCR_x}{R_{CSx}}$$

Where  $L_x / DCR_x = R_x C_x$  is held. The method can get high efficiency performance, but  $DCR_x$  value will be drifted by temperature, a NTC resistor should add in the resistor network in the IMON pin to achieve  $DCR_x$  thermal compensation.

It's noted that, in order to avoid current amplifier being saturated. When  $(I_{Lx} \times DCR_x)$  is larger than 140mV, the current sense method should be adopted method II as illustrated in Figure 5. According to Figure 5, the  $R_x$  is as follows :

$$R_x = R_{x1} // R_{x2}$$

The resistance accuracy of  $R_{CSx}$  is recommended to be 1% or higher. And in order to get impedance matching, the  $R_{CSx}$  must be placed 680Ω resistor.

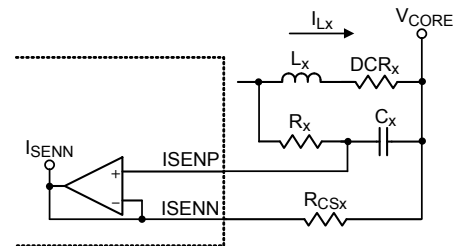


Figure 4. Lossless Current Sense Method I

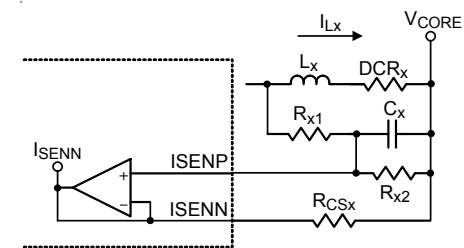


Figure 5. Lossless Current Sense Method II

### Thermal Compensation for Current Sense

Thermal Compensation for Current Sense is a patented topology, unlike conventional current sense method requiring a NTC resistor in per phase current loop for



thermal compensation. That is to say, this current sense of thermal compensation method can be applied to multi-phase condition and it only needs one NTC resistor. So, the NTC resistor cost can be saved by using the method. Figure 6 and Figure 7 show the current sense method which connecting the resistor network between the IMON and VREF pins to set a part of current loop gain for load-line (droop) setting and set accurate over current protection.

The method I current sense network equation is as follows :

$$V_{IMON} - V_{REF} = \frac{DCR_x}{R_{CSx}} \times R_{EQ} \times I_{Lx}$$

The method II current sense network equation is as follows :

$$V_{IMON} - V_{REF} = \frac{DCR_x}{R_{CSx}} \times R_{EQ} \times I_{Lx} \times \frac{R_{x2}}{R_{x1} + R_{x2}}$$

$R_{EQ}$  includes a NTC resistor to compensate  $DCR_x$  thermal drifting for high accuracy load-line (droop).

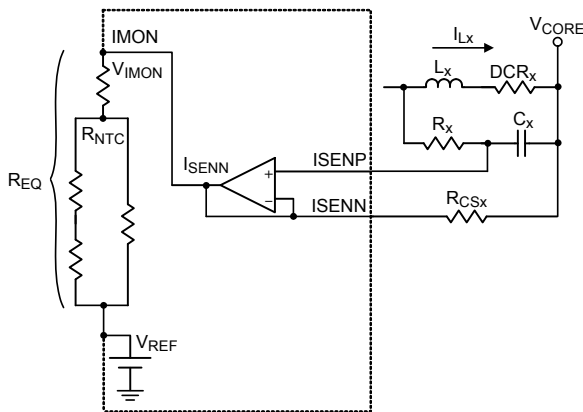


Figure 6. Total Current Sense Method I Network

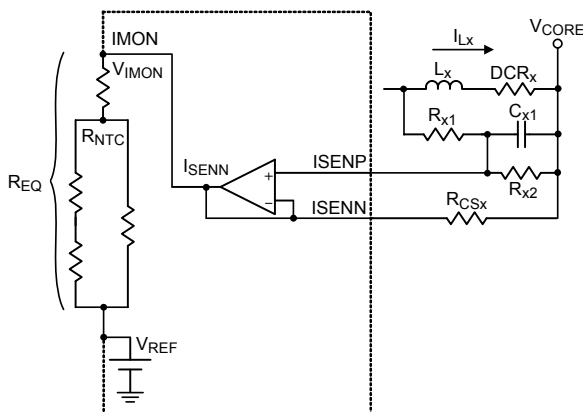


Figure 7. Total Current Sense Method II Network

**Load-Line (Droop) Setting**

The G-NAVP™ topology can set load-line (droop) via the current loop and the voltage loop, the load-line is a slope between load current  $I_{CC}$  and output voltage  $V_{CORE}$  as shown in Figure 8. Figure 9 shows the voltage control and current loop. By using both loops, the load-line (droop) can easily be set. The load-line set equation is :

$$R_{LL} = \frac{A_I}{A_V} = \frac{\frac{1}{3} \times \frac{DCR_x}{R_{CSx}} \times R_{EQ}}{\frac{R_2}{R_1}} \text{ (m}\Omega\text{)}$$

The load-line can be set to zero by SET3 pin.

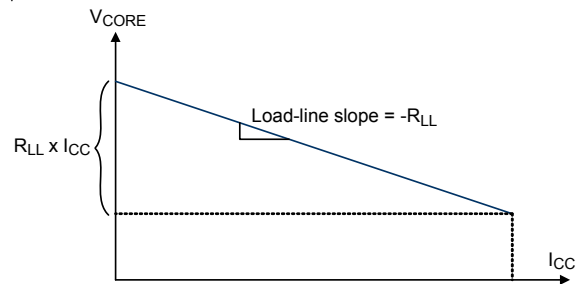


Figure 8. Load-Line (Droop)

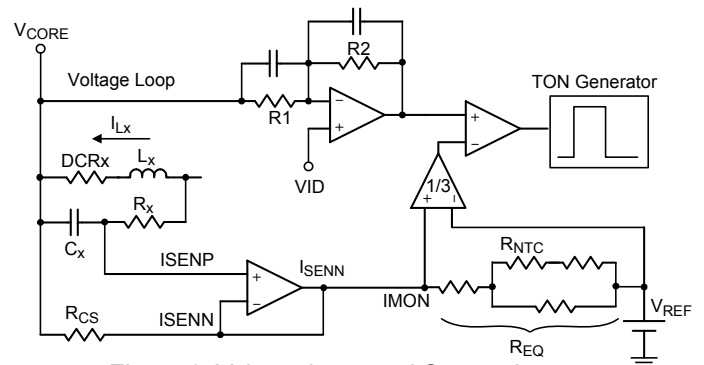


Figure 9. Voltage Loop and Current Loop

**Compensator Design**

The compensator of RT8171C doesn't need a complex type II or type III compensator to optimize control loop performance. It can adopt a simple type I compensator (one pole, one zero) in G-NAVP™ topology to achieve constant output impedance design for Intel VR12.1 ACLL specification. The one pole one zero compensator is shown as Figure 10, the transfer function of compensator should be designed as the following transfer function to achieve constant output impedance, i.e.  $Z_o(s) = \text{load-line slope}$  in the entire frequency range :

$$G_{CON}(s) \approx \frac{A_I}{R_{LL}} \times \frac{1 + \frac{s}{\omega_{ESR}}}{1 + \frac{s}{\pi \times f_{SW}}}$$

Where  $A_I$  is current loop gain,  $R_{LL}$  is load-line,  $f_{SW}$  is switching frequency and  $\omega_{ESR}$  is a pole that should be located at  $1 / (C_{OUT} \times ESR)$ . Then, the  $C1$  and  $C2$  should be designed as follows :

$$C1 = \frac{1}{R1 \times \pi \times f_{SW}}$$

$$C2 = \frac{C_{OUT} \times ESR}{R2}$$

It is noted that, the values of  $C1$  and  $C2$  may fine tune for better experimental performance.

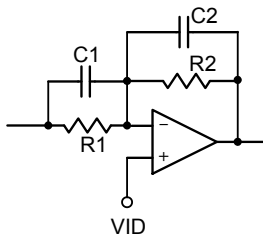


Figure 10. Type I Compensator

**Multi-Function Pin Setting Mechanism**

For reducing total pin number of package, the SET[1:3] pins adopt the multi-function pin setting mechanism in RT8171C. Figure 11 illustrates this operating mechanism. First, external voltage divider is to set the Function 1 and then internal current source  $80\mu A$  is to set the Function 2. The setting voltage of Function 1 and Function 2 can be represented as follows :

$$V_{Function\ 1} = \frac{R2}{R1 + R2} \times V_{CC}$$

$$V_{Function\ 2} = 80\mu A \times \frac{R1 \times R2}{R1 + R2}$$

All function setting will be done within  $500\mu s$  after power ready (POR).

If  $V_{Function\ 1}$  and  $V_{Function\ 2}$  are determined,  $R1$  and  $R2$  can be calculated as follows :

$$R1 = \frac{V_{CC} \times V_{Function\ 2}}{80\mu A \times V_{Function\ 1}}$$

$$R2 = \frac{R1 \times V_{Function\ 1}}{V_{CC} - V_{Function\ 1}}$$

In addition, Richtek provides a Microsoft Excel-based spreadsheet to help design the SETx resistor network for RT8171C.

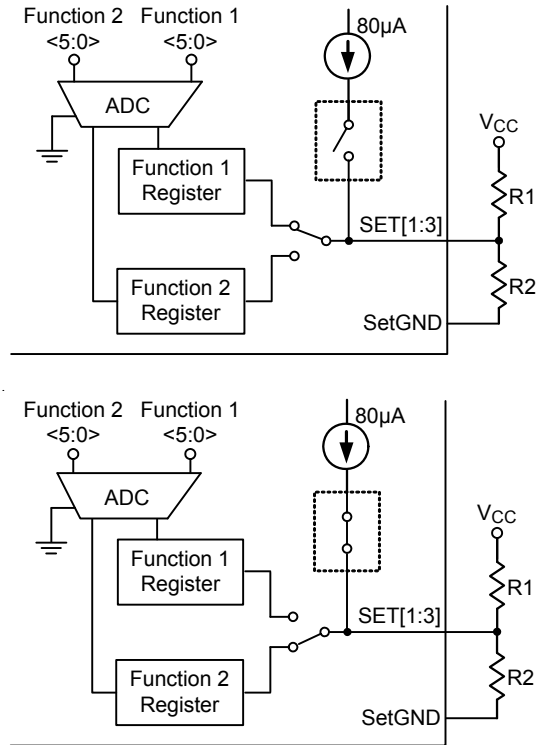
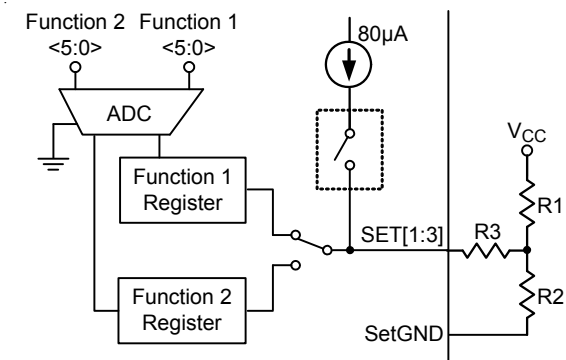


Figure 11. Multi-Function Pin Setting Mechanism

Connecting a  $R3$  resistor from the SET[1:3] pin to the middle node of voltage divider can help to fine tune the set voltage of Function 2, which does not affect the set voltage of Function 1. The Figure 12 shows the setting method and the set voltage of Function 1 and Function 2 can be represented as :

$$V_{Function\ 1} = \frac{R2}{R1 + R2} \times V_{CC}$$

$$V_{Function\ 2} = 80\mu A \times \left( R3 + \frac{R1 \times R2}{R1 + R2} \right)$$



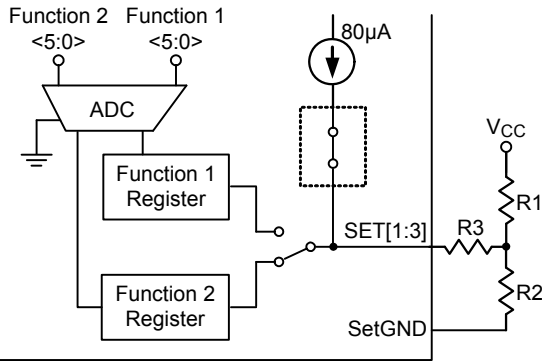


Figure 12. Multi-Function Pin Setting Mechanism with a R3 resistor to fine tune the set voltage of function 2

**Quick Response (QR) Mechanism**

When the transient load step-up becomes quite large, it is difficult for loop response to meet the energy transfer. Hence, that output voltage generate undershoot to fail specification. The RT8171C has Quick Response (QR) mechanism being able to help improve this issue. It adopts a nonlinear control mechanism which can enlarge the on time of PWM signal at instantaneous step-up transient load to restrain the output voltage drooping, Figure 13 shows the QR behavior.

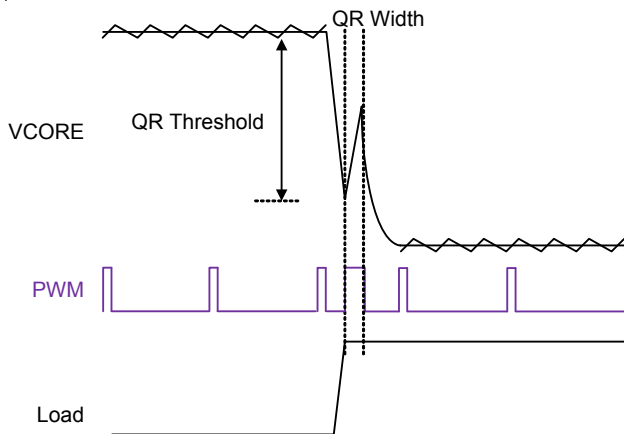


Figure 13. Quick Response Mechanism

The output voltage signal behavior needs to be detected so that QR mechanism can be triggered. The output voltage signal is via a remote sense line to connect at VSEN pin that is shown in Figure 14. The QR mechanism needs to set QR width and QR threshold. Both definitions are shown in Figure 13. A proper QR mechanism set can meet different applications. The SET2 pin is a multi-function pin which can set QR threshold, QR width and ICCMAX.

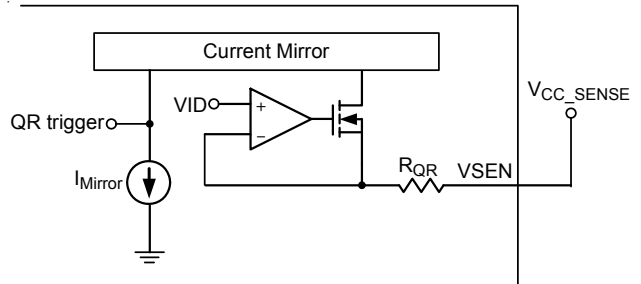


Figure 14. Simplified QR Trigger Schematic

An internal current source 80µA is used in multi-function pin setting mechanism. For example, 25mV QR threshold and 1.3 x TON QR width are set according to the Table 4, the set voltage should be between 0.6506V and 0.6725V. Please note that a high accuracy resistor is needed for this setting accuracy, <1% error tolerance is recommended.

In the Table 4, there are some “No Use” marks at QR Width section. It means that user should not use it to avoid the possibility of shift digital code due to tolerance concern.

Table 4. SET2 Pin Setting for QR Threshold and QR Width

$V_{QR\_SET} = 80\mu A \times \frac{R1 \times R2}{R1 + R2}$				QR_TH <2:0>	QRWIDTH <2:0>	QR Threshold	QR Width (%TON)
Min	Typical	Max	unit				
0.000	10.948	21.896	mV	000	000	Disable	No Use
25.024	35.973	46.921	mV		001		155%
50.049	60.997	71.945	mV		010		133%
75.073	86.022	96.970	mV		011		111%
100.098	111.046	121.994	mV		100		89%
125.122	136.070	147.019	mV		101		67%
150.147	161.095	172.043	mV		110		44%
175.171	186.119	197.067	mV		111		No Use
200.196	211.144	222.092	mV	001	000	15mV	No Use
225.220	236.168	247.116	mV		001		155%
250.244	261.193	272.141	mV		010		133%
275.269	286.217	297.165	mV		011		111%
300.293	311.241	322.190	mV		100		89%
325.318	336.266	347.214	mV		101		67%
350.342	361.290	372.239	mV		110		44%
375.367	386.315	397.263	mV		111		No Use
400.391	411.339	422.287	mV	010	000	20mV	No Use
425.415	436.364	447.312	mV		001		155%
450.440	461.388	472.336	mV		010		133%
475.464	486.413	497.361	mV		011		111%
500.489	511.437	522.385	mV		100		89%
525.513	536.461	547.410	mV		101		67%
550.538	561.486	572.434	mV		110		44%
575.562	586.510	597.458	mV		111		No Use
600.587	611.535	622.483	mV	011	000	25mV	No Use
625.611	636.559	647.507	mV		001		155%
650.635	661.584	672.532	mV		010		133%
675.660	686.608	697.556	mV		011		111%
700.684	711.632	722.581	mV		100		89%
725.709	736.657	747.605	mV		101		67%
750.733	761.681	772.630	mV		110		44%
775.758	786.706	797.654	mV		111		No Use
800.782	811.730	822.678	mV	100	000	30mV	No Use
825.806	836.755	847.703	mV		001		155%
850.831	861.779	872.727	mV		010		133%
875.855	886.804	897.752	mV		011		111%
900.880	911.828	922.776	mV		100		89%
925.904	936.852	947.801	mV		101		67%
950.929	961.877	972.825	mV		110		44%
975.953	986.901	997.849	mV		111		No Use

$V_{QR\_SET} = 80\mu A \times \frac{R1 \times R2}{R1 + R2}$				QR_TH <2:0>	QRWIDTH <2:0>	QR Threshold	QR Width (%TON)
Min	Typical	Max	unit				
1000.978	1011.926	1022.874	mV	101	000	35mV	No Use
1026.002	1036.950	1047.898	mV		001		155%
1051.026	1061.975	1072.923	mV		010		133%
1076.051	1086.999	1097.947	mV		011		111%
1101.075	1112.023	1122.972	mV		100		89%
1126.100	1137.048	1147.996	mV		101		67%
1151.124	1162.072	1173.021	mV		110		44%
1176.149	1187.097	1198.045	mV		111		No Use
1201.173	1212.121	1223.069	mV	110	000	40mV	No Use
1226.197	1237.146	1248.094	mV		001		155%
1251.222	1262.170	1273.118	mV		010		133%
1276.246	1287.195	1298.143	mV		011		111%
1301.271	1312.219	1323.167	mV		100		89%
1326.295	1337.243	1348.192	mV		101		67%
1351.320	1362.268	1373.216	mV		110		44%
1376.344	1387.292	1398.240	mV		111		No Use
1401.369	1412.317	1423.265	mV	111	000	45mV	No Use
1426.393	1437.341	1448.289	mV		001		155%
1451.417	1462.366	1473.314	mV		010		133%
1476.442	1487.390	1498.338	mV		011		111%
1501.466	1512.414	1523.363	mV		100		89%
1526.491	1537.439	1548.387	mV		101		67%
1551.515	1562.463	1573.412	mV		110		44%
1576.540	1587.488	1598.436	mV		111		No Use

**Dynamic VID (DVID) Compensation**

When VID transition event occurs, a charge current will be generated in the loop to cause that DVID performance is deteriorated by this induced charge current, the phenomenon is called droop effect. The droop effect is shown in Figure 15. When VID up transition occurs, the output capacitor will be charged by inductor current. Since current signal is sensed in inductor, an induced charge current will appear in control loop. The induced charge current will produce a voltage drop in R1 to cause output voltage to have a droop effect. Due to this, VID transition performance will be deteriorated.

The RT8171C provides a DVID compensation function. A virtual charge current signal can be established by the SET1 pin to cancel the real induced charge current signal and the virtual charge current signal is defined in Figure 17. Figure 16 shows the operation of canceling droop effect. A virtual charge current signal is established first and then VID signal plus virtual charge current signal is generated in FB pin. Hence, an induced charge current signal flows to R1 and is cancelled to reduce droop effect.

As mention before, the charge current will be generated when VID transition event occurs. This charge current will not only deteriorated DVID performance but also may damage power switches. Due to this, user should consider the power rating current of power switches when choosing the power switches.

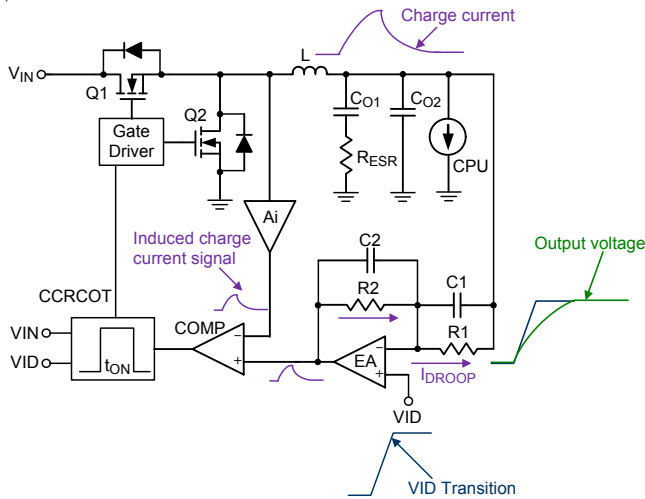


Figure 15. Droop Effect in VID Transition

Table 5 and Table 6 show the DVID\_Threshold and DVID\_Width settings in SET1 pin, respectively. For example, 25mV DVID\_Threshold and 72μs DVID\_Width are designed (OCP sets as 110% ICCMAX, and RSET sets as 100% Ramp current). The DVID\_Threshold is set by an external voltage divider to set and the DVID\_Width is set by an internal current source 80μA by the multi-function pin setting mechanism. According to the Table 5 and Table 6, the DVID\_Threshold set voltage should be between 1.226V and 1.248V and the DVID\_Width set voltage should be between 0.125V and 0.147V. Please note that a high accuracy resistor is needed for this setting, <1% error tolerance is recommended.

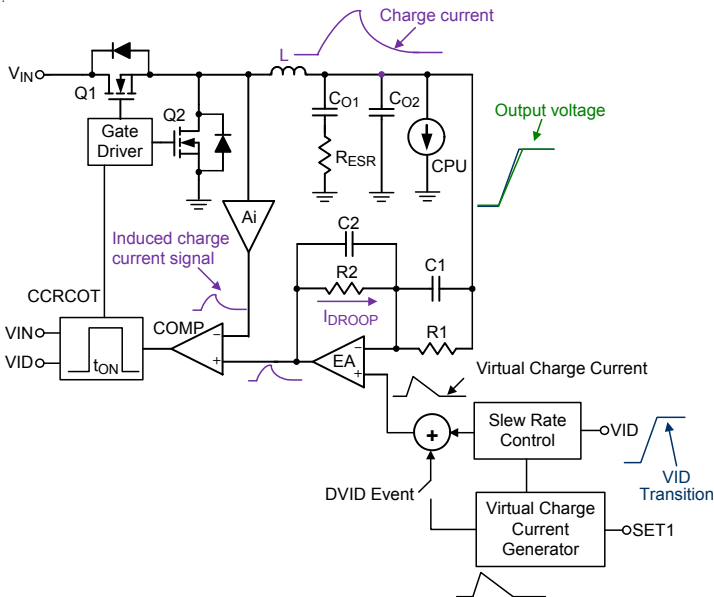


Figure 16. DVID Compensation

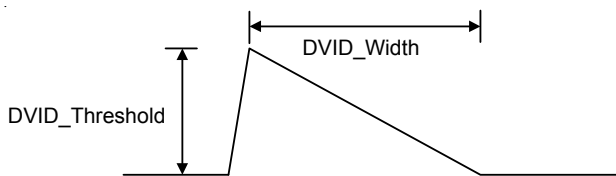


Figure 17. Definition of Virtual Charge Current Signal

**Table 5. SET1 Pin Setting for DVID\_Threshold**

$V_{DVID\_Threshold} = 80\mu A \times \frac{R1 \times R2}{R1 + R2}$				DVID_TH <2:0>	OCS <2:0>	DVID_Threshold	OCP = %ICCMAX
Min	Typical	Max	unit				
0.000	10.948	21.896	mV	111	000	85mV	No Use
25.024	35.973	46.921	mV		001		110%
50.049	60.997	71.945	mV		010		119%
75.073	86.022	96.970	mV		011		128%
100.098	111.046	121.994	mV		100		138%
125.122	136.070	147.019	mV		101		147%
150.147	161.095	172.043	mV		110		156%
175.171	186.119	197.067	mV		111		No Use
200.196	211.144	222.092	mV	110	000	75mV	No Use
225.220	236.168	247.116	mV		001		110%
250.244	261.193	272.141	mV		010		119%
275.269	286.217	297.165	mV		011		128%
300.293	311.241	322.190	mV		100		138%
325.318	336.266	347.214	mV		101		147%
350.342	361.290	372.239	mV		110		156%
375.367	386.315	397.263	mV		111		No Use
400.391	411.339	422.287	mV	101	000	65mV	No Use
425.415	436.364	447.312	mV		001		110%
450.440	461.388	472.336	mV		010		119%
475.464	486.413	497.361	mV		011		128%
500.489	511.437	522.385	mV		100		138%
525.513	536.461	547.410	mV		101		147%
550.538	561.486	572.434	mV		110		156%
575.562	586.510	597.458	mV		111		No Use
600.587	611.535	622.483	mV	100	000	55mV	No Use
625.611	636.559	647.507	mV		001		110%
650.635	661.584	672.532	mV		010		119%
675.660	686.608	697.556	mV		011		128%
700.684	711.632	722.581	mV		100		138%
725.709	736.657	747.605	mV		101		147%
750.733	761.681	772.630	mV		110		156%
775.758	786.706	797.654	mV		111		No Use
800.782	811.730	822.678	mV	011	000	45mV	No Use
825.806	836.755	847.703	mV		001		110%
850.831	861.779	872.727	mV		010		119%
875.855	886.804	897.752	mV		011		128%
900.880	911.828	922.776	mV		100		138%
925.904	936.852	947.801	mV		101		147%
950.929	961.877	972.825	mV		110		156%
975.953	986.901	997.849	mV		111		No Use

$V_{DVID\_Threshold} = 80\mu A \times \frac{R1 \times R2}{R1 + R2}$				DVID_TH <2:0>	OCS <2:0>	DVID_Threshold	OCP = %ICCMAX
Min	Typical	Max	unit				
1000.978	1011.926	1022.874	mV	010	000	35mV	No Use
1026.002	1036.950	1047.898	mV		001		110%
1051.026	1061.975	1072.923	mV		010		119%
1076.051	1086.999	1097.947	mV		011		128%
1101.075	1112.023	1122.972	mV		100		138%
1126.100	1137.048	1147.996	mV		101		147%
1151.124	1162.072	1173.021	mV		110		156%
1176.149	1187.097	1198.045	mV		111		No Use
1201.173	1212.121	1223.069	mV	001	000	25mV	No Use
1226.197	1237.146	1248.094	mV		001		110%
1251.222	1262.170	1273.118	mV		010		119%
1276.246	1287.195	1298.143	mV		011		128%
1301.271	1312.219	1323.167	mV		100		138%
1326.295	1337.243	1348.192	mV		101		147%
1351.320	1362.268	1373.216	mV		110		156%
1376.344	1387.292	1398.240	mV		111		No Use
1401.369	1412.317	1423.265	mV	000	000	15mV	No Use
1426.393	1437.341	1448.289	mV		001		110%
1451.417	1462.366	1473.314	mV		010		119%
1476.442	1487.390	1498.338	mV		011		128%
1501.466	1512.414	1523.363	mV		100		138%
1526.491	1537.439	1548.387	mV		101		147%
1551.515	1562.463	1573.412	mV		110		156%
1576.540	1587.488	1598.436	mV		111		No Use



**Table 6. SET1 Pin Setting for DVID\_Width**

$V_{DVID\_Width} = \frac{R2}{R1+R2} \times 5V$				RSET <3:0>	DVID_WTH <1:0>	RSET % 300kHz	DVID_Width
Min	Typical	Max	unit				
0.000	10.948	21.896	mV	0000	00	83%	No Use
25.024	35.973	46.921	mV		01		72μs
50.049	60.997	71.945	mV		10		96μs
75.073	86.022	96.970	mV		11		No Use
100.098	111.046	121.994	mV	0001	00	100%	No Use
125.122	136.070	147.019	mV		01		72μs
150.147	161.095	172.043	mV		10		96μs
175.171	186.119	197.067	mV		11		No Use
200.196	211.144	222.092	mV	0010	00	117%	No Use
225.220	236.168	247.116	mV		01		72μs
250.244	261.193	272.141	mV		10		96μs
275.269	286.217	297.165	mV		11		No Use
300.293	311.241	322.190	mV	0011	00	133%	No Use
325.318	336.266	347.214	mV		01		72μs
350.342	361.290	372.239	mV		10		96μs
375.367	386.315	397.263	mV		11		No Use
400.391	411.339	422.287	mV	0100	00	150%	No Use
425.415	436.364	447.312	mV		01		72μs
450.440	461.388	472.336	mV		10		96μs
475.464	486.413	497.361	mV		11		No Use
500.489	511.437	522.385	mV	0101	00	167%	No Use
525.513	536.461	547.410	mV		01		72μs
550.538	561.486	572.434	mV		10		96μs
575.562	586.510	597.458	mV		11		No Use
600.587	611.535	622.483	mV	0110	00	183%	No Use
625.611	636.559	647.507	mV		01		72μs
650.635	661.584	672.532	mV		10		96μs
675.660	686.608	697.556	mV		11		No Use
700.684	711.632	722.581	mV	0111	00	200%	No Use
725.709	736.657	747.605	mV		01		72μs
750.733	761.681	772.630	mV		10		96μs
775.758	786.706	797.654	mV		11		No Use
800.782	811.730	822.678	mV	1000	00	217%	No Use
825.806	836.755	847.703	mV		01		72μs
850.831	861.779	872.727	mV		10		96μs
875.855	886.804	897.752	mV		11		No Use
900.880	911.828	922.776	mV	1001	00	233%	No Use
925.904	936.852	947.801	mV		01		72μs
950.929	961.877	972.825	mV		10		96μs
975.953	986.901	997.849	mV		11		No Use

$V_{DVID\_Width} = \frac{R2}{R1+R2} \times 5V$				RSET <3:0>	DVID_WTH <1:0>	RSET % 300kHz	DVID_Width
Min	Typical	Max	unit				
1000.978	1011.926	1022.874	mV	1010	00	250%	No Use
1026.002	1036.950	1047.898	mV		01		72µs
1051.026	1061.975	1072.923	mV		10		96µs
1076.051	1086.999	1097.947	mV		11		No Use
1101.075	1112.023	1122.972	mV	1011	00	267%	No Use
1126.100	1137.048	1147.996	mV		01		72µs
1151.124	1162.072	1173.021	mV		10		96µs
1176.149	1187.097	1198.045	mV		11		No Use
1201.173	1212.121	1223.069	mV	1100	00	283%	No Use
1226.197	1237.146	1248.094	mV		01		72µs
1251.222	1262.170	1273.118	mV		10		96µs
1276.246	1287.195	1298.143	mV		11		No Use
1301.271	1312.219	1323.167	mV	1101	00	300%	No Use
1326.295	1337.243	1348.192	mV		01		72µs
1351.320	1362.268	1373.216	mV		10		96µs
1376.344	1387.292	1398.240	mV		11		No Use
1401.369	1412.317	1423.265	mV	1110	00	317%	No Use
1426.393	1437.341	1448.289	mV		01		72µs
1451.417	1462.366	1473.314	mV		10		96µs
1476.442	1487.390	1498.338	mV		11		No Use
1501.466	1512.414	1523.363	mV	1111	00	333%	No Use
1526.491	1537.439	1548.387	mV		01		72µs
1551.515	1562.463	1573.412	mV		10		96µs
1576.540	1587.488	1598.436	mV		11		No Use

**Ramp Compensation**

G-NAVP™ topology is one type of ripple based control that has fast transient response, no beat frequency issue in high repetitive load frequency operation and low BOM cost. But ripple based control usually has no good noise immunity. The RT8171C provides a ramp compensation to increase noise immunity and reduce jitter at the switching node. Figure 18 shows the ramp compensation.

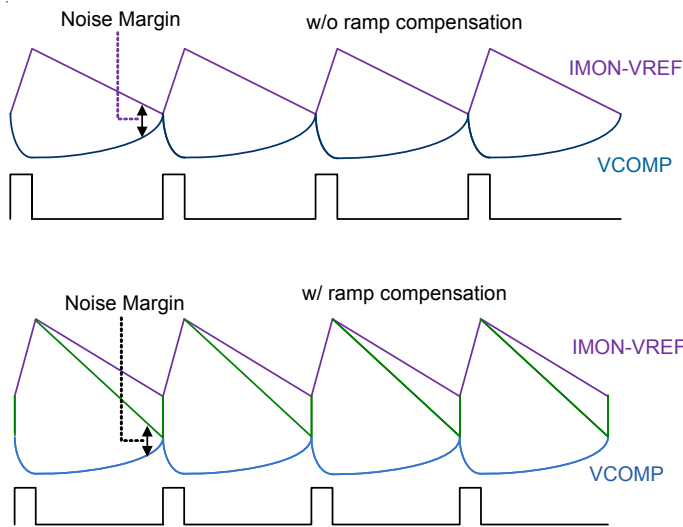


Figure 18. Ramp Compensation

For the RT8171C, the ramp compensation also needs to be considered during mode transition from PS0/1 to PS2. For achieving smooth mode transition into PS2, a proper ramp compensation design is necessary. Since the ramp compensation needs to be proportional to the switching frequency, in others words, ramp compensation is dependent on switching frequency. The Table 6 shows the relationship between switching frequency and ramp compensation. For example, when designed switching frequency is 400kHz, the RAMP is set as  $\frac{400\text{kHz}}{300\text{kHz}} \times 100\%$ .

**Current Monitor, IMON**

RT8171C includes a current monitor (IMON) function which can be used to detect over current protection and the maximum processor current ICCMAX, and also sets a part of current gain in the load-line setting. It produces an analog voltage proportional to output current between the IMON and VREF pins.

The calculation of current sense method I for IMON – VREF voltage is shown as below :

$$V_{\text{IMON}} - V_{\text{REF}} = \frac{\text{DCR}_x}{R_{\text{CSx}}} \times R_{\text{EQ}} \times I_{\text{Lx}}$$

Where  $I_{\text{Lx}}$  is output current and the definitions of  $\text{DCR}_x$ ,  $R_{\text{CS}}$  and  $R_{\text{EQ}}$  can refer to Figure 6.

**Maximum Processor Current Setting, ICCMAX**

The maximum processor current ICCMAX can be set by the SET2 pin. ICCMAX register is set by an external voltage divider by the multi-function mechanism. The Table 7 shows the ICCMAX setting in SET2 pin. For example,  $I_{\text{CCMAX}} = 25\text{A}$ , the  $V_{\text{ICCMAX}}$  needs to be set as 0.635V typically. Additionally,  $V_{\text{IMON}} - V_{\text{REF}}$  needs to be set as 0.4V when  $I_{\text{Lx}} = 25\text{A}$ . The ICCMAX alert signal will be pulled to low level if  $V_{\text{IMON}} - V_{\text{REF}} = 0.4\text{V}$ .

Table 7. SET2 Pin Setting for ICCMAX

$V_{ICCMAX} = \frac{R2}{R1+R2} \times 5V$				ICCMAX	Unit
Min	Typical	Max	Unit		
0.000	9.384	18.768	mV	0	A
25.024	34.409	43.793	mV	1	A
50.049	59.433	68.817	mV	2	A
75.073	84.457	93.842	mV	3	A
100.098	109.482	118.866	mV	4	A
125.122	134.506	143.891	mV	5	A
150.147	159.531	168.915	mV	6	A
175.171	184.555	193.939	mV	7	A
200.196	209.580	218.964	mV	8	A
225.220	234.604	243.988	mV	9	A
250.244	259.629	269.013	mV	10	A
275.269	284.653	294.037	mV	11	A
300.293	309.677	319.062	mV	12	A
325.318	334.702	344.086	mV	13	A
350.342	359.726	369.110	mV	14	A
375.367	384.751	394.135	mV	15	A
400.391	409.775	419.159	mV	16	A
425.415	434.800	444.184	mV	17	A
450.440	459.824	469.208	mV	18	A
475.464	484.848	494.233	mV	19	A
500.489	509.873	519.257	mV	20	A
525.513	534.897	544.282	mV	21	A
550.538	559.922	569.306	mV	22	A
575.562	584.946	594.330	mV	23	A
600.587	609.971	619.355	mV	24	A
625.611	634.995	644.379	mV	25	A
650.635	660.020	669.404	mV	26	A
675.660	685.044	694.428	mV	27	A
700.684	710.068	719.453	mV	28	A
725.709	735.093	744.477	mV	29	A
750.733	760.117	769.501	mV	30	A

**Anti-Overshoot Function**

When DVID slew rate increases, loop response is difficult to meet energy transfer so that output voltage generates overshoot to fail specification. The RT8171C has Anti-Overshoot function being able to help improve this issue. The VR will turn off low-side MOSFET when output voltage ramps up to the target VID (ALERT signal be pulled low). This function also can improve the overshoot during the

load transient condition. When Anti-overshoot function is triggered, the UGATE and LGATE signal will be masked to reduce the overshoot. The Table 8 shows the Anti-Overshoot setting in SET3 pin and this function can be enabled/disabled by SET3 pin under load transient condition. Please note that, this function is always enabled under DVID condition.

**Zero Load-Line**

The RT8171C adopts G-NAVP™ (Green Native AVP), which is Richtek's proprietary topology derived from finite DC gain compensator with current mode control, making it an easy to set the PWM controller, meeting all Intel CPU requirements of AVP (Active Voltage Positioning). The RT8171C also can support zero load-line application. This function can be enabled/disabled by SET3 pin, as shown in Table 8.

**Shrink TON**

In order to reduce ripple at PS2 and PS3. RT8171C support shrink on-time function. If this function is enabled, the on-time at PS2 and PS3 will be 65% on-time of PS0. But the switching frequency will be faster at PS2 and PS3.

**VR Address Setting**

In VR 12.1 Intel SVID protocol, the data packet will contain a 4 bit addressing code for future platform flexibility. The RT8171C provides a VR address setting function that can be set by SET3 pin. The VR will react according to the SVID command when VR addressing setting bit is the same with the CPU addressing code. When VR addressing setting bit and the CPU addressing code are different, the VR will skip the SVID command.

The Table 8 and Table 9 show the VR Address setting in SET3 pin. It is noted that VR Address constructs from MSB and LSB. The Table 10 shows the more clearly relation about the real VR Address.

**Table 8. SET3 Pin Setting for Function 1**

$V_{SET3\_1} = \frac{R2}{R1+R2} \times 5V$				Anti-Overshoot	Zero Load-Line	VR Address MSB
Min	Typical	Max	Unit			
0.000	10.948	21.896	mV	Disable	Disable	0
25.024	35.973	46.921	mV			
50.049	60.997	71.945	mV			
75.073	86.022	96.970	mV			
100.098	111.046	121.994	mV			
125.122	136.070	147.019	mV			
150.147	161.095	172.043	mV			
175.171	186.119	197.067	mV			
200.196	211.144	222.092	mV			
225.220	236.168	247.116	mV			
250.244	261.193	272.141	mV			
275.269	286.217	297.165	mV			
300.293	311.241	322.190	mV			
325.318	336.266	347.214	mV			
350.342	361.290	372.239	mV			
375.367	386.315	397.263	mV			
400.391	411.339	422.287	mV			
425.415	436.364	447.312	mV			
450.440	461.388	472.336	mV			
475.464	486.413	497.361	mV			
500.489	511.437	522.385	mV			
525.513	536.461	547.410	mV			
550.538	561.486	572.434	mV			
575.562	586.510	597.458	mV			
					Enable	0

$V_{SET3\_1} = \frac{R2}{R1+R2} \times 5V$				Anti-Overshoot	Zero Load-Line	VR Address MSB
Min	Typical	Max	Unit			
600.587	611.535	622.483	mV	Disable	Enable	1
625.611	636.559	647.507	mV			
650.635	661.584	672.532	mV			
675.660	686.608	697.556	mV			
700.684	711.632	722.581	mV			
725.709	736.657	747.605	mV			
750.733	761.681	772.630	mV			
775.758	786.706	797.654	mV			
800.782	811.730	822.678	mV			
825.806	836.755	847.703	mV	Enable	Disable	0
850.831	861.779	872.727	mV			
875.855	886.804	897.752	mV			
900.880	911.828	922.776	mV			
925.904	936.852	947.801	mV			
950.929	961.877	972.825	mV			
975.953	986.901	997.849	mV			
1000.978	1011.926	1022.874	mV			
1026.002	1036.950	1047.898	mV			
1051.026	1061.975	1072.923	mV			
1076.051	1086.999	1097.947	mV			
1101.075	1112.023	1122.972	mV			
1126.100	1137.048	1147.996	mV			
1151.124	1162.072	1173.021	mV			
1176.149	1187.097	1198.045	mV			
1201.173	1212.121	1223.069	mV			
1226.197	1237.146	1248.094	mV			
1251.222	1262.170	1273.118	mV			
1276.246	1287.195	1298.143	mV			
1301.271	1312.219	1323.167	mV	Enable	0	
1326.295	1337.243	1348.192	mV			
1351.320	1362.268	1373.216	mV			
1376.344	1387.292	1398.240	mV			
1401.369	1412.317	1423.265	mV			
1426.393	1437.341	1448.289	mV			
1451.417	1462.366	1473.314	mV			
1476.442	1487.390	1498.338	mV			
1501.466	1512.414	1523.363	mV			
1526.491	1537.439	1548.387	mV	Enable	1	
1551.515	1562.463	1573.412	mV			
1576.540	1587.488	1598.436	mV			

**Table 9. SET3 Pin setting for Function 2**

$V_{SET3\_2} = 80\mu A \times \frac{R1 \times R2}{R1 + R2}$				VR Address LSB	Switching Frequency	Shrink T <sub>ON</sub>	ZCD_TH	
Min	Typical	Max	Unit					
0.000	10.948	21.896	mV	1	f <sub>sw</sub> > 500kHz	Disable	0.75mV	
25.024	35.973	46.921	mV				1.5mV	
50.049	60.997	71.945	mV				2.25mV	
75.073	86.022	96.970	mV				3mV	
100.098	111.046	121.994	mV				Enable	0.75mV
125.122	136.070	147.019	mV					1.5mV
150.147	161.095	172.043	mV			2.25mV		
175.171	186.119	197.067	mV			3mV		
200.196	211.144	222.092	mV			Disable		0.75mV
225.220	236.168	247.116	mV					1.5mV
250.244	261.193	272.141	mV				2.25mV	
275.269	286.217	297.165	mV				3mV	
300.293	311.241	322.190	mV				Enable	0.75mV
325.318	336.266	347.214	mV					1.5mV
350.342	361.290	372.239	mV			2.25mV		
375.367	386.315	397.263	mV			3mV		
400.391	411.339	422.287	mV		Disable	0.75mV		
425.415	436.364	447.312	mV			1.5mV		
450.440	461.388	472.336	mV			2.25mV		
475.464	486.413	497.361	mV			3mV		
500.489	511.437	522.385	mV			Enable	0.75mV	
525.513	536.461	547.410	mV				1.5mV	
550.538	561.486	572.434	mV		2.25mV			
575.562	586.510	597.458	mV		3mV			
600.587	611.535	622.483	mV		Disable		0.75mV	
625.611	636.559	647.507	mV				1.5mV	
650.635	661.584	672.532	mV			2.25mV		
675.660	686.608	697.556	mV			3mV		
700.684	711.632	722.581	mV			Enable	0.75mV	
725.709	736.657	747.605	mV				1.5mV	
750.733	761.681	772.630	mV		2.25mV			
775.758	786.706	797.654	mV		3mV			
800.782	811.730	822.678	mV	0	f <sub>sw</sub> > 500kHz		Disable	0.75mV
825.806	836.755	847.703	mV					1.5mV
850.831	861.779	872.727	mV			2.25mV		
875.855	886.804	897.752	mV			3mV		
900.880	911.828	922.776	mV			Enable	0.75mV	
925.904	936.852	947.801	mV				1.5mV	
950.929	961.877	972.825	mV				2.25mV	
975.953	986.901	997.849	mV				3mV	

$V_{SET3\_2} = 80\mu A \times \frac{R1 \times R2}{R1 + R2}$				VR Address LSB	Switching Frequency	Shrink T <sub>ON</sub>	ZCD_TH		
Min	Typical	Max	unit						
1000.978	1011.926	1022.874	mV	0	f <sub>sw</sub> > 500kHz	Enable	0.75mV		
1026.002	1036.950	1047.898	mV				1.5mV		
1051.026	1061.975	1072.923	mV				2.25mV		
1076.051	1086.999	1097.947	mV				3mV		
1101.075	1112.023	1122.972	mV				f <sub>sw</sub> ≤ 500kHz	Disable	0.75mV
1126.100	1137.048	1147.996	mV						1.5mV
1151.124	1162.072	1173.021	mV						2.25mV
1176.149	1187.097	1198.045	mV						3mV
1201.173	1212.121	1223.069	mV		Enable	0.75mV			
1226.197	1237.146	1248.094	mV			1.5mV			
1251.222	1262.170	1273.118	mV			2.25mV			
1276.246	1287.195	1298.143	mV			3mV			
1301.271	1312.219	1323.167	mV			0.75mV			
1326.295	1337.243	1348.192	mV				1.5mV		
1351.320	1362.268	1373.216	mV				2.25mV		
1376.344	1387.292	1398.240	mV				3mV		
1401.369	1412.317	1423.265	mV		1.5mV				
1426.393	1437.341	1448.289	mV				2.25mV		
1451.417	1462.366	1473.314	mV				3mV		
1476.442	1487.390	1498.338	mV				2.25mV		
1501.466	1512.414	1523.363	mV			3mV			
1526.491	1537.439	1548.387	mV			3mV			
1551.515	1562.463	1573.412	mV					3mV	
1576.540	1587.488	1598.436	mV						

Table 10. Composing about Real VR Address

VR Address MSB/LSB		Real VR Address
0	0	0
0	1	1
1	0	4
1	1	5



**Over Current Protection**

The RT8171C has dual OCP mechanism. One is named OCP-SUM, the other is called OCP-SPIKE. The over current protection (OCP) forces high-side MOSFET and low-side MOSFET off by shutting down internal PWM logic drivers. RT8171C provides OCP-SUM which is set by SET1 pin. The OCP-SUM threshold setting can refer to ICCMAX current in the Table 7. For example, if ICCMAX is set as 25A, user can set voltage by using the external voltage divider in SET1 pin as 1.262V typically if DVID\_Threshold = 25mV, then 30A OCP-SUM (120% x ICCMAX) threshold will be set. When output current is higher than the OCP-SUM threshold, OCP-SUM is latched with a 40μs delay time to prevent false trigger. Besides, the OCP-SUM function is masked when dynamic VID transient occurs and after dynamic VID transition, OCP-SUM is masked for 80μs. The other one is per phase OCP which should trip when the output current exceeds quintuple ICCMAX during soft-start. When output current is higher than the per phase OCP threshold, per phase OCP is latched with a 1μs delay time to prevent false trigger. Please note that, here is no OCP at PS3.

**Over Output Voltage Protection**

There are two conditions for OVP. One is when VSEN is higher than 1.2V. The other is when VSEN is smaller than 1.2V. For VSEN is higher than 1.2V, OVP condition is detected when the VSEN pin is 350mV more than VID. For VSEN is smaller than 1.2V, OVP is occurred when VSEN is higher than 1.55V. When OVP condition is detected, the upper gate voltage UGATE is pulled-low and lower gate voltage LGATE is pulled-high. OVP is latched with a 0.5us delay time to prevent false trigger.

**Negative Voltage Protection**

Since the OVP latch continuously turns on low-side MOSFET of the VR, the VR will suffer negative output voltage. When the VSEN detects a voltage below -0.05V after triggering OVP, the VR will trigger NVP to turn off low-side MOSFET of the VR while the high-side MOSFET remains off. After triggering NVP, if the output voltage rises above 0V, the OVP latch will restart to turn on low-side MOSFET. Therefore, the output voltage may bounce

between 0V and -0.05V due to OVP latch and NVP triggering. The NVP function will be active only after OVP is triggered.

**Under Voltage Protection**

When the VSEN pin voltage is 350mV less than VID, a UVP will be latched. When UVP latched, both the UGATE and LGATE will be pulled-low. A 3.5μs delay is used in UVP detection circuit to prevent false trigger. Besides, the UVP function is masked when dynamic VID transient occurs and after dynamic VID transition, UVP is masked for 80μs.

**Under Voltage Lock Out (UVLO)**

During normal operation, if the voltage at the VCC pin drops below POR threshold 4.1V (min), the VR will trigger UVLO. The UVLO protection forces high-side MOSFET and low-side MOSFET off by shutting down internal PWM logic drivers.

**Power Ready (POR) Detection**

During start-up, the RT8171C will detect the voltage at the voltage input pins : VCC, EN and PVCC. When VCC > 4.1V and PVCC > 4V the RT8171C will recognize the power state of system to be ready (POR = high) and wait for enable command at the EN pin. After POR = high and VEN > 0.7V, the RT8171C will enter start-up sequence. If the voltage at any voltage pin drops below low threshold (POR = low), the RT8171C will enter power down sequence and all the functions will be disabled. Normally, connecting system voltage VTT (1.05V) to the EN pin is recommended. 1ms (max) after the chip has been enabled, the SVID circuitry will be ready. All the protection latches (OVP, OCP, UVP) will be cleared only by VCC. The condition of VEN = low will not clear these latches. Figure 19 and Figure 20 show the POR detection and the timing chart for POR process, respectively.

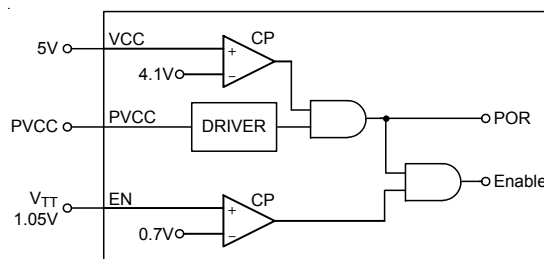


Figure 19. POR Detection

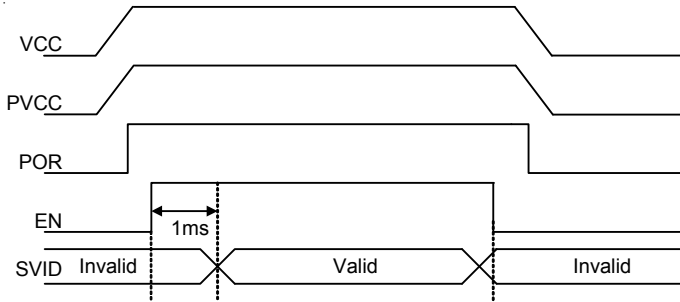


Figure 20. Timing Chart for POR Process

**Precise Reference Current Generation, IBIAS**

Analog circuits need very precise reference voltage/current to drive/set these analog devices. The RT8171C provides a 2V voltage source at the IBIAS pin, and a 100kΩ resistor is required to be connected between IBIAS pin and analog ground to generate a very precise reference current. Through this connection, the RT8171C will generate a 20μA current from the IBIAS pin to analog ground, and this 20μA current will be mirrored inside the RT8171C for internal use. The IBIAS pin can only be connected with a 100kΩ resistor to GND for internal analog circuit use. The resistance accuracy of this resistor is recommended to be 1% or higher. Figure 21 shows the IBIAS setting circuit.

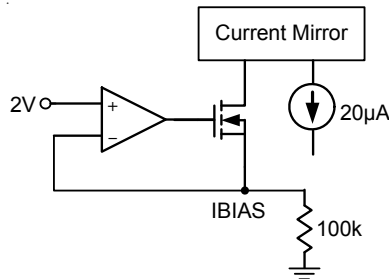


Figure 21. IBIAS Setting Circuit

**TSEN and VR\_HOT**

The VR\_HOT signal is an open-drain signal which is used for VR thermal protection. When the sensed voltage in TSEN pin is over 1.887V under V<sub>CC</sub> is exact 5V condition, the VR\_HOT signal will be pulled-low to notify CPU that the thermal protection needs to work. Please note that, the VR thermal protection is only valid under PS0, PS1 and PS2 condition. According to Intel VR definition, VR\_HOT signal needs acting if VR power chain temperature exceeds 100°C. Placing an NTC thermistor at the hottest area in the VR power chain and its connection is shown in Figure 22, to design the voltage

divider elements (R1, R2 and NTC) so that V<sub>TSEN</sub> = 1.887V at 100°C. The resistance accuracy of TSEN network is recommended to be 1% or higher.

$$V_{TSEN} = V_{CC} \times \frac{R2}{R2 + [R1/R_{NTC(100^\circ C)}]} = 1.887V$$

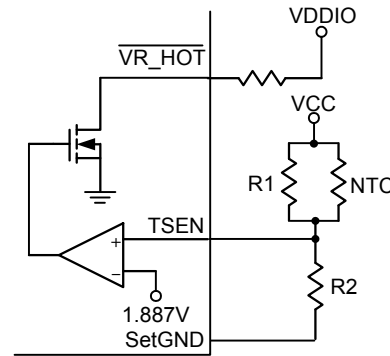


Figure 22. VR\_HOT Circuit

**VBOOT**

The RT8171C provides controllable VBOOT function as shown in Figure 23. The VBOOT voltage can be set by the VBOOTSEL pin. Table 11 shows the VBOOT voltage setting in VBOOTSEL pin. For example, when VBOOT = 1V, the VBOOTSEL set voltage will be between 1.3V and 3.7V. It's noted that, if floating VBOOTSEL pin that the VBOOT voltage will not be defined.

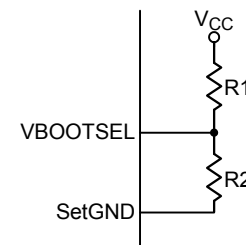


Figure 23. VBOOTSEL Circuit.

**Table 11. VBOOTSEL Pin setting for VBOOT**

VBOOTSEL = $\frac{R2}{R1+R2} \times 5V$				VBOOT
Min	Typical	Max	Unit	
0	0.6	1.2	V	0.9
1.3	2.5	3.7	V	1.0
3.8	4.4	5	V	1.1

**Differential Remote Sense Setting**

The VR provides differential remote-sense inputs to eliminate the effects of voltage drops along the PC board traces as signified as Figure 24. CPU internal power routes

and socket contacts. The CPU contains on-die sense pins,  $V_{CC\_SENSE}$  and  $V_{SS\_SENSE}$ . Connecting RGND to  $V_{SS\_SENSE}$  and connect FB to  $V_{CC\_SENSE}$  with a resistor to build the negative input path of the error amplifier. The  $V_{DAC}$  and the precision voltage reference are referred to RGND for accurate remote sensing.

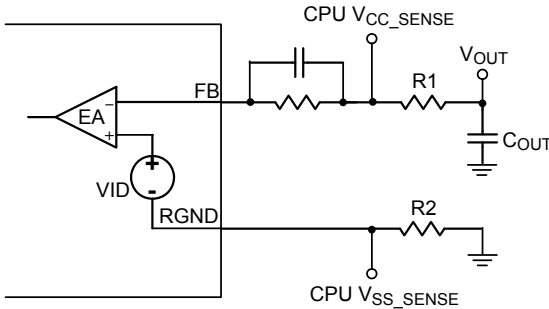


Figure 24. Remote Sensing Circuit

**Current Loop Design in Details**

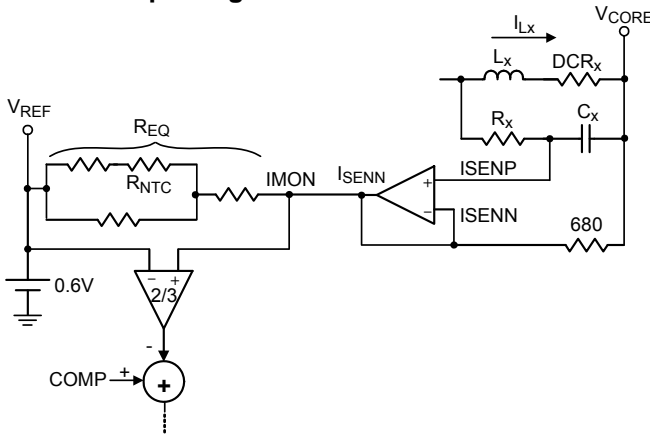


Figure 25. Current Loop Structure

Figure 25 shows the whole current loop structure. The current loop plays an important role in RT8171C that can decide ACLL performance (for load-line is required condition), DCLL accuracy and ICCMAX accuracy. For ACLL performance, the correct compensator design is assumed, if RC network time constant matches inductor time constant  $L_x / DCR_x$ , an expected load transient waveform can be designed. If  $R_x C_x$  network time constant is larger than inductor time constant  $L_x / DCR_x$ ,  $V_{CORE}$  waveform has a sluggish droop during load transient. If  $R_x C_x$  network is smaller than inductor time constant  $L_x / DCR_x$ , a worst  $V_{CORE}$  waveform will sag to create an undershoot to fail the specification. Figure 26 shows the variety of  $R_x C_x$  constant corresponding to the output waveforms.

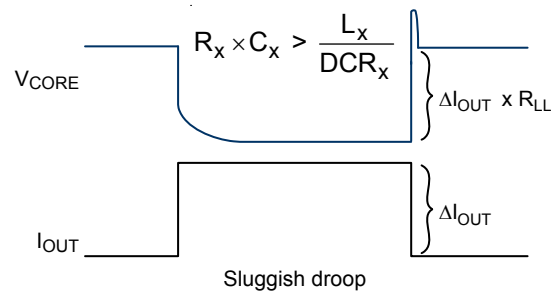
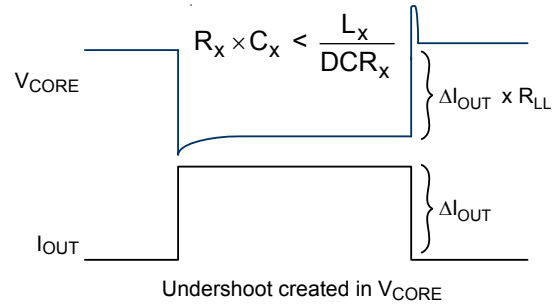
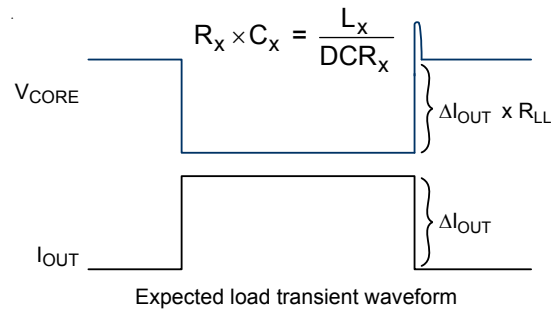


Figure 26. All Kind of  $R_x C_x$  Constants

For DCLL performance and ICCMAX accuracy, since the copper wire of inductor has a positive temperature coefficient, when temperature goes high in the heavy load condition then DCR value goes large simultaneously. A resistor network with NTC thermistor compensation connecting between IMON pin and REF pin is necessary, to compensate the positive temperature coefficient of inductor DCR. The design flow is as follows :

Step1 : Given the three system temperature  $T_L$ ,  $T_R$  and  $T_H$ , at which are compensated.

Step2 : Three equations can be listed as

$$\frac{DCR(T_L)}{680} \times \sum_{i=1}^1 i_{Li} \times R_{EQ}(T_L) = 0.4$$

$$\frac{DCR(T_R)}{680} \times \sum_{i=1}^1 i_{Li} \times R_{EQ}(T_R) = 0.4$$

$$\frac{DCR(T_H)}{680} \times \sum_{i=1}^1 I_{Li} \times R_{EQ}(T_H) = 0.4$$

Where :

(1) The relationship between DCR and temperature is as follows :

$$DCR(T) = DCR(25^\circ C) \times [1 + 0.00393(T - 25)]$$

(2)  $R_{EQ}(T)$  is the equivalent resistor of the resistor network with a NTC thermistor

$$R_{EQ}(T) = R_{IMON1} + \{R_{IMON2} // [R_{IMON3} + R_{NTC}(T)]\}$$

And the relationship between NTC and temperature is as follows :

$$R_{NTC}(T) = R_{NTC}(25^\circ C) \times e^{\beta \left( \frac{1}{T+273} - \frac{1}{298} \right)}$$

$\beta$  is in the NTC thermistor datasheet.

Step3 : Three equations and three unknowns,  $R_{IMON1}$ ,  $R_{IMON2}$  and  $R_{IMON3}$  can be found out unique solution.

$$R_{IMON1} = K_{TR} - \frac{R_{IMON2} \times (R_{NTCTR} + R_{IMON3})}{R_{IMON2} + R_{NTCTR} + R_{IMON3}}$$

$$R_{IMON2} = \sqrt{\frac{[K_{R3}^2 + K_{R3}(R_{NTCTL} + R_{NTCTR})]}{+R_{NTCTL} R_{NTCTR}}} \alpha_{TL}$$

$$R_{IMON3} = -R_{IMON2} + K_{R3}$$

Where :

$$\alpha_{TH} = \frac{K_{TH} - K_{TR}}{R_{NTCTH} - R_{NTCTR}}$$

$$\alpha_{TL} = \frac{K_{TL} - K_{TR}}{R_{NTCTL} - R_{NTCTR}}$$

$$K_{R3} = \frac{(\alpha_{TH} / \alpha_{TL}) R_{NTCTH} - R_{NTCTL}}{1 - (\alpha_{TH} / \alpha_{TL})}$$

$$K_{TL} = \frac{0.4}{G_{CS}(TL) \times I_{CC-MAX}}$$

$$K_{TR} = \frac{0.4}{G_{CS}(TR) \times I_{CC-MAX}}$$

$$K_{TH} = \frac{0.4}{G_{CS}(TH) \times I_{CC-MAX}}$$

## Design Step

RT8171C Excel based design tool is available. Users can contact your Richtek representative to get the spreadsheet. Three main design procedures of RT8171C design, first step is initial settings, second step is loop design and last step is protection settings. The following design example is to explain RT8171C design procedure:

	V <sub>CORE</sub> Specification
Input Voltage	7.4
No. of Phase	1
VBoot	1
ICCMAX	13
ICC-Dyn	8
MAX Switching Frequency	800kHz

The output filter requirements of VRTB specification are as follows :

Output Inductor : 330nH/2.95m $\Omega$

Output Bulk Capacitor : 270 $\mu$ F/2V.6m $\Omega$  (3pcs)

Output Ceramic Capacitor : 22 $\mu$ F/0603 (6pcs max sites on top side)

### (1) Initial Settings

- RT8171C initial VBoot voltage is 1V

$$5 \times \frac{R_2}{R_1 + R_2} = 2.5V, R_1 \text{ can be selected by user and here}$$

$R_1$  is equal to 10k $\Omega$  so  $R_2$  is equal to 10k $\Omega$ .

- IBIAS needs to connect a 100k $\Omega$  resistor to ground.

### (2) Loop Design

- On time setting :

$V_{IN(MAX)} = 7.4V$ ,  $V_{DAC(MAX)} = 1V$ ,  $F_{SW(MAX)} = 800kHz$ ,  $I_{CC(MAX)} = 13A$ ,  $DCR = 2.95m\Omega$ ,  $R_{LL} = 0\Omega$ ,  $R_{ON-HS} = 6m\Omega$ ,  $R_{ON-LS} = 6m\Omega$ ,  $T_D = 30ns$ ,  $T_{ON,VAR} = 15ns$ .

Using the Microsoft Excel-based spreadsheet from RICHTEK.

The  $R_{TON}$  resistance can be calculated after the switching frequency and the on-time are decided.

$$R_{TON} = \frac{(V_{IN} - V_{DAC}) \times T_{ON}}{18.2p \times 0.11} = 652k\Omega$$

Choosing the nearest on-time setting resistor  $R_{TON} = 649k\Omega$

- Current sensor adopts lossless RC filter to sense current signal in DCR. For getting an expected load transient waveform  $R_X C_X$  time constant needs to match  $L_X / DCR_X$ .  $C_X = 0.47\mu\text{F}$  is set, then

$$R_X = \frac{L_X}{0.47\mu\text{F} \times DCR_X} = 240\Omega$$

But  $R_X = 240\Omega$  will let  $R_{EQ}$  is too small, so here the current sense method 2 should be selected. By using the design tool,  $R_{X1}$  and  $R_{X2}$  can be determined, both are equal to  $475\Omega$ .

- IMON resistor network design :  $T_L = 25^\circ\text{C}$ ,  $T_R = 50^\circ\text{C}$  and  $T_H = 100^\circ\text{C}$  are decided, NTC thermistor =  $100\text{k}\Omega$  @  $25^\circ\text{C}$ ,  $\beta = 4050$  and  $ICCMAX = 13\text{A}$ . According to the sub-section "Current Loop Design in Details",  $R_{IMON1} = 6.63\text{k}\Omega$ ,  $R_{IMON2} = 8.83\text{k}\Omega$  and  $R_{IMON3} = 5.44\text{k}\Omega$  can be decided. The  $R_{EQ}(25^\circ\text{C}) = 14.187\text{k}\Omega$ .
- Load-line design : If load-line is required, the load-line can be determined by below equation and the voltage loop  $A_V$  gain is also decided by the following equation :

$$R_{LL} = \frac{A_V}{A_I} = \frac{1}{3} \times \frac{DCR}{R_{CS}} \times R_{EQ} \times \frac{R_2}{R_1} \quad (\text{m}\Omega)$$

Here the load-line isn't required. The suggestion  $A_V$  gain is 5 to 10 for the zero load-line application.  $R_1 = 10\text{k}\Omega$  is usually decided and here  $R_2$  is chosen to  $68\text{k}\Omega$ .

- Typical compensator design can use the following equations to design  $C_1$  and  $C_2$  values

$$C_1 = \frac{1}{R_1 \times \pi \times f_{SW}} \approx 39.7\text{pF}$$

$$C_2 = \frac{C_{OUT} \times ESR}{R_2} \approx 28\text{pF}$$

For Intel platform, in order to induce the band width to enhance transient performance to meet Intel's criterion, the zero location can be designed close to 1/10 of the switching frequency or less than the 1/10 of switching frequency.

- SET1 resistor network design : First, the DVID compensation parameters need to be decided. The  $DVID\_TH$  can be calculated as the following equation :

$$V_{DVID\_TH} = R_{LL} \times C_{OUT} \times \frac{dVID}{dt}$$

Where  $R_{LL}$  is load-line,  $C_{OUT}$  is total output capacitance and  $dVID/dt$  is DVID fast slew rate. Here the load-line is equal to zero. Thus the DVID compensation isn't work under the zero load-line application. So,  $DVID\_TH$  and  $DVID\_Width$  can be set to any value. Here  $DVID\_TH$  and  $DVID\_Width$  are chosen as  $15\text{mV}$  and  $72\mu\text{s}$ , respectively. Next, OCP threshold  $I$  is designed as  $1.28 \times ICCMAX$ . Last,  $RAMP = 800\text{kHz} / 300\text{kHz} = 267\%$ ,  $267\%$  is set. By using above information, the two equations can be listed by using multi-function pin setting mechanism :

$$5 \times \frac{R_2}{R_1 + R_2} = 1137.3\text{mV}$$

$$80\mu \times \frac{R_1 \times R_2}{R_1 + R_2} = 1487.6\text{mV}$$

$$R_1 = 81.757\text{k}\Omega \text{ and } R_2 = 24.065\text{k}\Omega.$$

- SET2 resistor network design : The QR mechanism parameters need to be designed at first. Due to the load current step is small and output capacitance is large, the QR mechanism isn't necessary. The  $QR\_TH$  is set to disable and  $QR\_Width$  is designed as  $1.11 \times T_{ON}$ . The  $ICCMAX$  is designed as  $13\text{A}$ . By using the information, the two equation can be listed by using multi-function pin setting mechanism :

$$5 \times \frac{R_2}{R_1 + R_2} = 334.7\text{mV}$$

$$80\mu \times \frac{R_1 \times R_2}{R_1 + R_2} = 86.02\text{mV}$$

$$R_1 = 16.063\text{k}\Omega \text{ and } R_2 = 1.1524\text{k}\Omega.$$

- SET3 resistor network design: The zero load-line function and anti-overshoot function are decided to enable at first. Then, the ZCD threshold is chosen as  $0.75\text{mV}$ , shrink  $T_{ON}$  is disabled, switching frequency is chosen  $f_{SW} > 500\text{kHz}$  and  $VR$  address is usually set to 0. By using the information, the two equations can be listed by using multi-function pin setting mechanism:

$$5 \times \frac{R_2}{R_1 + R_2} = 1299.7\text{mV}$$

$$80\mu \times \frac{R_1 \times R_2}{R_1 + R_2} = 824.24\text{mV}$$

$$R_1 = 39.64\text{k}\Omega \text{ and } R_2 = 13.92\text{k}\Omega.$$

### (3) Protection Settings

- OVP/UVP protections: When the VSEN pin voltage is 350mV higher than VID, the OVP will be latched. When the VSEN pin voltage is 350mV lower than VID, the UVP will be latched.
- TSEN and  $\overline{VR\_HOT}$  design : Using the following equation to calculate related resistances for  $\overline{VR\_HOT}$  setting.

$$V_{TSEN} = V_{CC} \times \frac{R2}{R2 + [R_{NTC(100^\circ C)} // R1]} = 1.887V$$

Choosing R1 = 100kΩ and an NTC thermistor R<sub>NTC</sub> (25°C) = 100kΩ and its β = 4485. When temperature is 100°C, the R<sub>NTC</sub>(100°C) = 4.85kΩ. Then R2 = 2.8kΩ can be calculated.

### Thermal Considerations

For continuous operation, do not exceed absolute maximum junction temperature. The maximum power dissipation depends on the thermal resistance of the IC package, PCB layout, rate of surrounding airflow, and difference between junction and ambient temperature. The maximum power dissipation can be calculated by the following formula :

$$P_{D(MAX)} = (T_{J(MAX)} - T_A) / \theta_{JA}$$

where T<sub>J(MAX)</sub> is the maximum junction temperature, T<sub>A</sub> is the ambient temperature, and θ<sub>JA</sub> is the junction to ambient thermal resistance.

For recommended operating condition specifications, the maximum junction temperature is 125°C. The junction to ambient thermal resistance, θ<sub>JA</sub>, is layout dependent. For WQFN-32L 4x4 package, the thermal resistance, θ<sub>JA</sub>, is 27.8°C/W on a standard JEDEC 51-7 four-layer thermal test board. The maximum power dissipation at T<sub>A</sub> = 25°C can be calculated by the following formula :

$$P_{D(MAX)} = (125^\circ C - 25^\circ C) / (27.8^\circ C/W) = 3.59W \text{ for WQFN-32L 4x4 package}$$

The maximum power dissipation depends on the operating ambient temperature for fixed T<sub>J(MAX)</sub> and thermal resistance, θ<sub>JA</sub>. The derating curve in Figure 27 allows the designer to see the effect of rising ambient temperature on the maximum power dissipation.

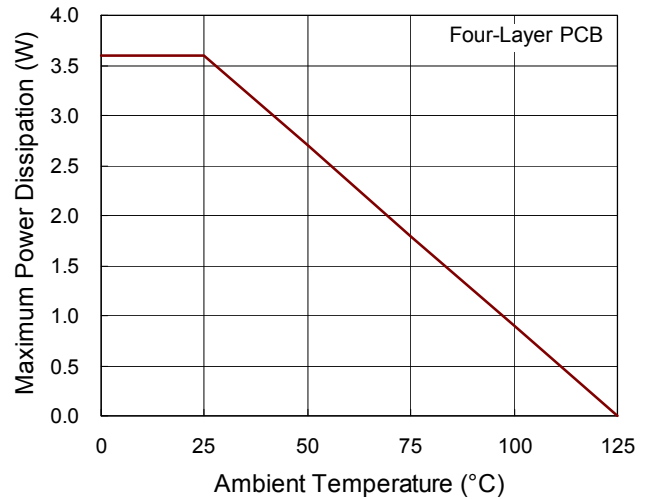


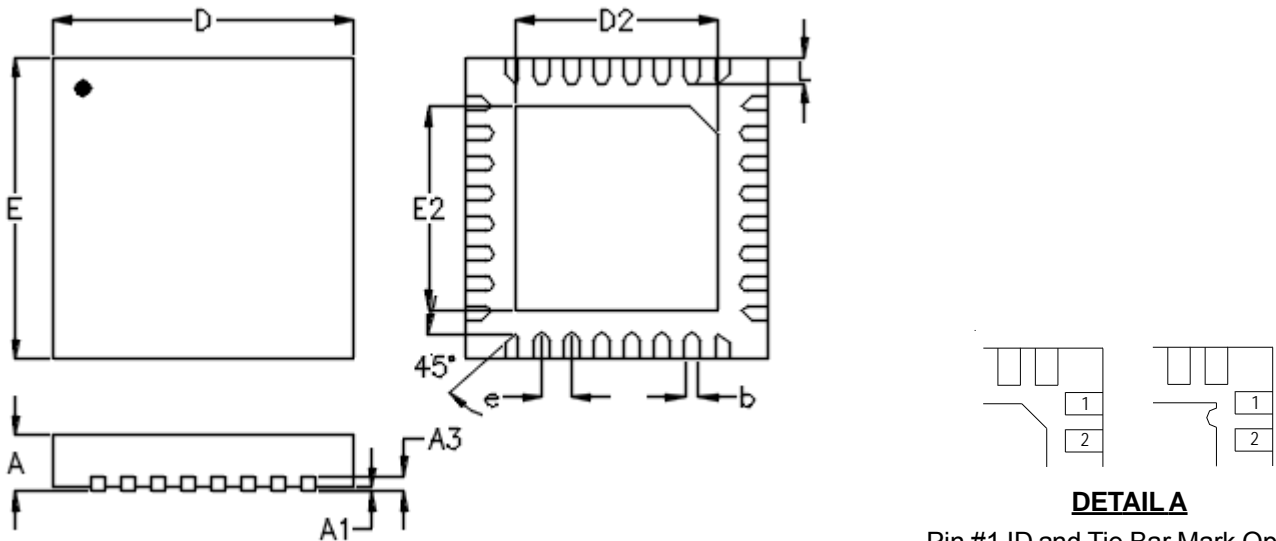
Figure 27. Derating Curve of Maximum Power Dissipation

### Layout Considerations

PCB layout is critical to achieve low switching losses and stable operation. The switching power stage requires particular attention. If possible, mount all of the power components on the top side of the board with their ground terminals flushed against one another. Follow these guidelines for the optimum PCB layout :

- ▶ Keep the high current paths short, especially at the ground terminals.
- ▶ Keep the power traces and load connections short. This is essential for high efficiency.
- ▶ When trade-offs in trace lengths must be made, it's preferable to let the inductor charging path be longer than the discharging path.
- ▶ Place the current sense component close to the controller. ISENP and ISENN connections for current limit and voltage positioning must be made using Kelvin sense connections to guarantee current sense accuracy. The PCB trace from the sense nodes should be paralleled back to the controller.
- ▶ Route high speed switching nodes away from sensitive analog areas (COMP, FB, ISENP, ISENN, etc...)
- ▶ Connect the exposed pad to the ground plane through low impedance path. Recommend use of at least 5 vias to connect to ground planes in PCB internal layers.

**Outline Dimension**



**DETAIL A**  
Pin #1 ID and Tie Bar Mark Options

Note : The configuration of the Pin #1 identifier is optional, but must be located within the zone indicated.

Symbol	Dimensions In Millimeters		Dimensions In Inches	
	Min.	Max.	Min.	Max.
A	0.700	0.800	0.028	0.031
A1	0.000	0.050	0.000	0.002
A3	0.175	0.250	0.007	0.010
b	0.150	0.250	0.006	0.010
D	3.900	4.100	0.154	0.161
D2	2.650	2.750	0.104	0.108
E	3.900	4.100	0.154	0.161
E2	2.650	2.750	0.104	0.108
e	0.400		0.016	
L	0.300	0.400	0.012	0.016

**W-Type 32L QFN 4x4 Package**

**Richtek Technology Corporation**

14F, No. 8, Tai Yuen 1<sup>st</sup> Street, Chupei City  
Hsinchu, Taiwan, R.O.C.  
Tel: (8863)5526789

Richtek products are sold by description only. Richtek reserves the right to change the circuitry and/or specifications without notice at any time. Customers should obtain the latest relevant information and data sheets before placing orders and should verify that such information is current and complete. Richtek cannot assume responsibility for use of any circuitry other than circuitry entirely embodied in a Richtek product. Information furnished by Richtek is believed to be accurate and reliable. However, no responsibility is assumed by Richtek or its subsidiaries for its use; nor for any infringements of patents or other rights of third parties which may result from its use. No license is granted by implication or otherwise under any patent or patent rights of Richtek or its subsidiaries.