

Ultra High Efficiency DC-DC Controller

FEATURES

- DC-DC SMPS controller with integrated drivers
- Constant ripple-current control allows optimum inductor size
- High Efficiency up to 94%
- High light load efficiency (>85% at 100mA)
- V_{OUT} accuracy 1%
- Input voltage from 3V to 30V
- Output voltage - adjustable from 0.5V to 2.75V
- Output current - up to 30A
- User adjustable operating frequency
- Dynamic voltage change support
- Voltage Feed-Forward Compensation
- Output Protection:
 - Latched Over Voltage Protection
 - Latched Under Voltage Protection
 - Valley type Over Current Protection
- Input Protection:
 - Under Voltage Lock Out on VDDA
 - Under Voltage Lock Out on VIN
- Power Good signal
- ON/SKIP signal
- Soft-Start at start-up with OCT protection
- Soft-Stop at shutdown

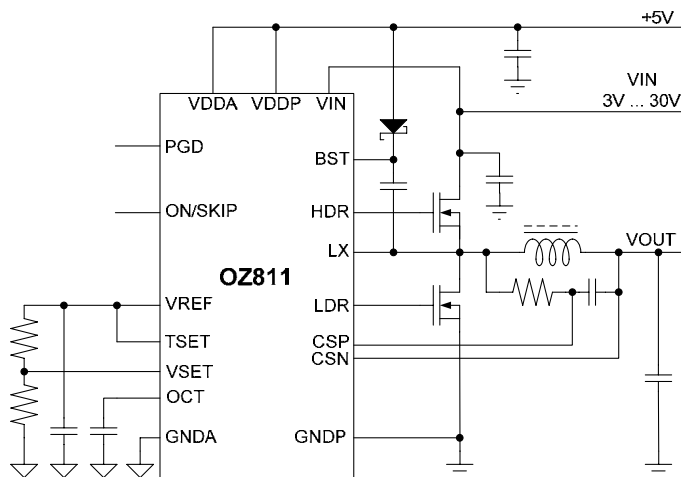
APPLICATIONS

Power Supplies for Notebook CPU and Peripherals

ORDERING INFORMATION

Part Number	Temp Range	Package
OZ811LN	0°C to 85°C	QFN16 (4x4) Lead-Free

SIMPLIFIED APPLICATION DIAGRAM



GENERAL DESCRIPTION

OZ811 is a DC/DC controller for the next generation of microprocessor power supplies, their peripherals and chipsets. OZ811 steps down the high battery voltage to low output voltages in the range of 0.5V to 2.75V. High efficiency, DC accuracy and excellent transient response make OZ811 the perfect choice for supplying low voltage CPU peripherals, chipset cores, and graphics processors. OZ811 is a constant ripple-current buck controller with powerful integrated drivers able to drive output currents up to 30A.

Voltage Feed-Forward compensation assures high rejection of input voltage transients typically occurring when the AC adapter is plugged in or removed.

Over Voltage Protection (OVP) acts when the output voltage exceeds the set voltage by more than 125mV. This protection condition is latched and initiates a ramp down of the output voltage.

Under Voltage Protection (UVP) acts when the output voltage falls below the set voltage by more than 133mV. This protection condition is latched and initiates a ramp down of the output voltage.

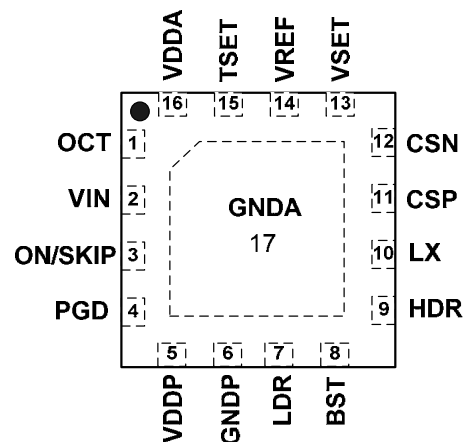
After OVP or UVP are triggered, the ON/SKIP pin should be toggled or VDDA/VIN cycled to restart the circuit.

The output is protected against overload by valley current type, cycle-by-cycle Over Current Protection (OCP) circuits.

The Under Voltage Lock Out circuit monitors both, VDDA and VIN and allows controller operation only if VDDA > 4.3V and VIN > 2.5V.

The Power Good signal is high as long as the output voltage is within +125mV/-133mV of the set voltage. At startup the output voltage ramps up in a controlled manner with a typical slew rate of 2V/ms and at shutdown the output voltage is ramped down in a controlled manner with the same slew rate, recovering the energy stored on the output capacitor and extending battery life.

PIN DIAGRAM



PIN DESCRIPTION

QFN	Name	I/O	Type	Description
1	OCT	P	Analog	Over Current Time-out. Time-out for Power Good assertion during startup. A capacitor setting the time-out should be connected between this pin and GNDA.
2	VIN	I	Analog	Input voltage sense. Used for feed-forward compensation. Also monitored by the Under Voltage Lock Out circuit. Enables controller only if VIN > 2.5V.
3	ON/SKIP	I	Digital	Enables operation. If V _{ON/SKIP} > 1.2V, the V _{OUT} voltage ramps up to the voltage set on VSET pin with a slew rate of 2V/ms. If V _{ON/SKIP} > 2.1V the controller enters skip mode of operation. If ON/SKIP is < 0.4V the chip is disabled and enters a very low consumption mode < 1μA. To re-enable the controller, the voltage on ON/SKIP pin needs to exceed 1V.
4	PGD	O	Digital	Power Good output for V _{OUT} . Open drain output asserted high when the output voltage V _{OUT} is within +125mV/-133mV of the set value.
5	VDDP	P	Power	Positive supply for the low side driver. A 1μF capacitor should be placed from VDDP to GNDA.
6	GNDA	P	Power	Power Ground.
7	LDR	O	Digital	Output of the low side driver.
8	BST	P	Power	Positive supply for the high side driver. A 0.1μF capacitor should be placed between BST and LX.
9	HDR	O	Digital	Output of the high side driver.
10	LX	P	Power	Inductor switching node.
11	CSP	I	Analog	Non-inverting current sense pin.
12	CSN	I	Analog	Inverting current sense pin.
13	VSET	I	Analog	Sets the output voltage (V _{OUT}) of the controller. Uses a resistor divider from the reference voltage.
14	VREF	O	Analog	2.75V ± 1% precision reference voltage. A 0.1μF should be placed from VREF to GNDA.
15	TSET	I	Analog	Adjust the T _{ON} of the controller according to the formula: $T_{ON} = \frac{1.6\mu s \times V_{TSET}}{V_{IN} - V_{OUT}}$ A 0.1μF capacitor must be placed from TSET to GNDA.
16	VDDA	P	Power	+5V supply for the controller analog circuits. A 1μF capacitor should be placed from VDDA to GNDA.
17	GNDA	P	Power	Ground for the controller analog circuits.

TYPICAL APPLICATION SCHEMATIC

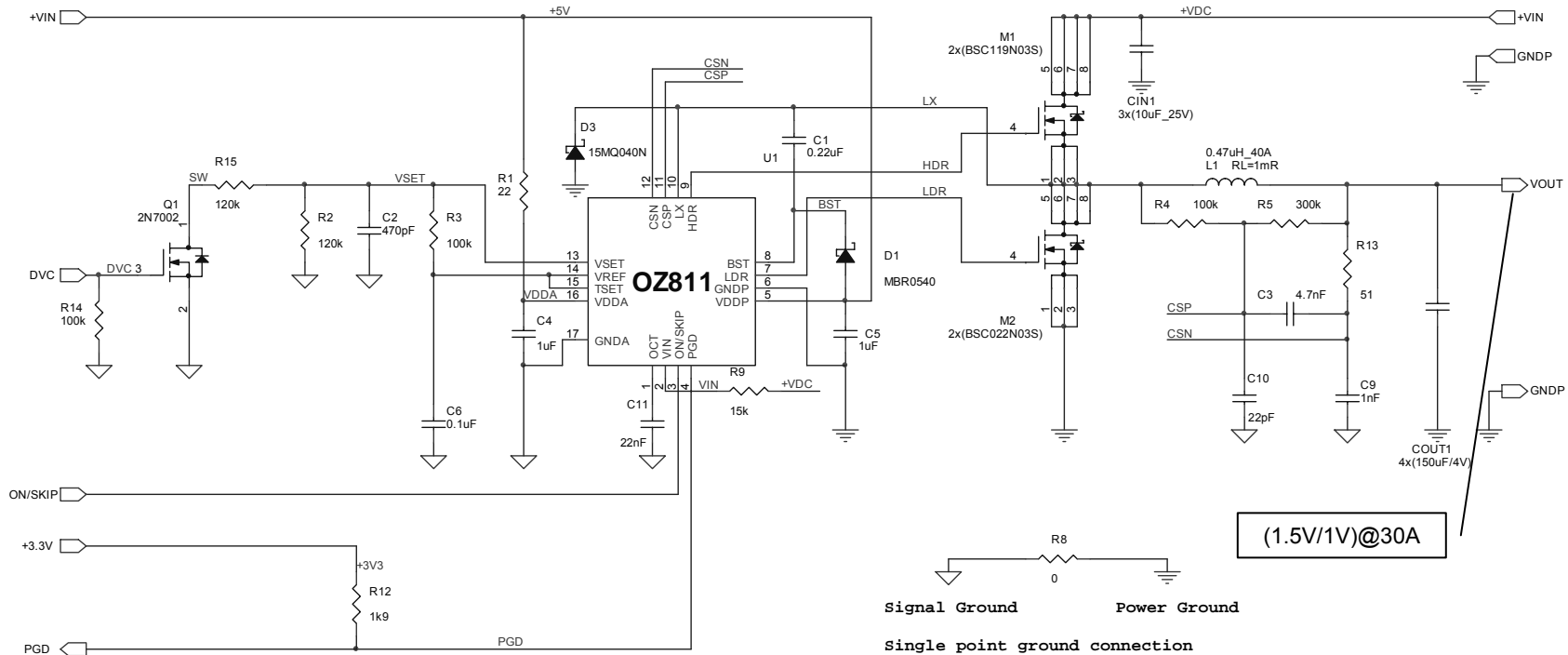


Figure 1: Typical Chipset Power Supply Schematic – OZ811LN

BILL OF MATERIALS

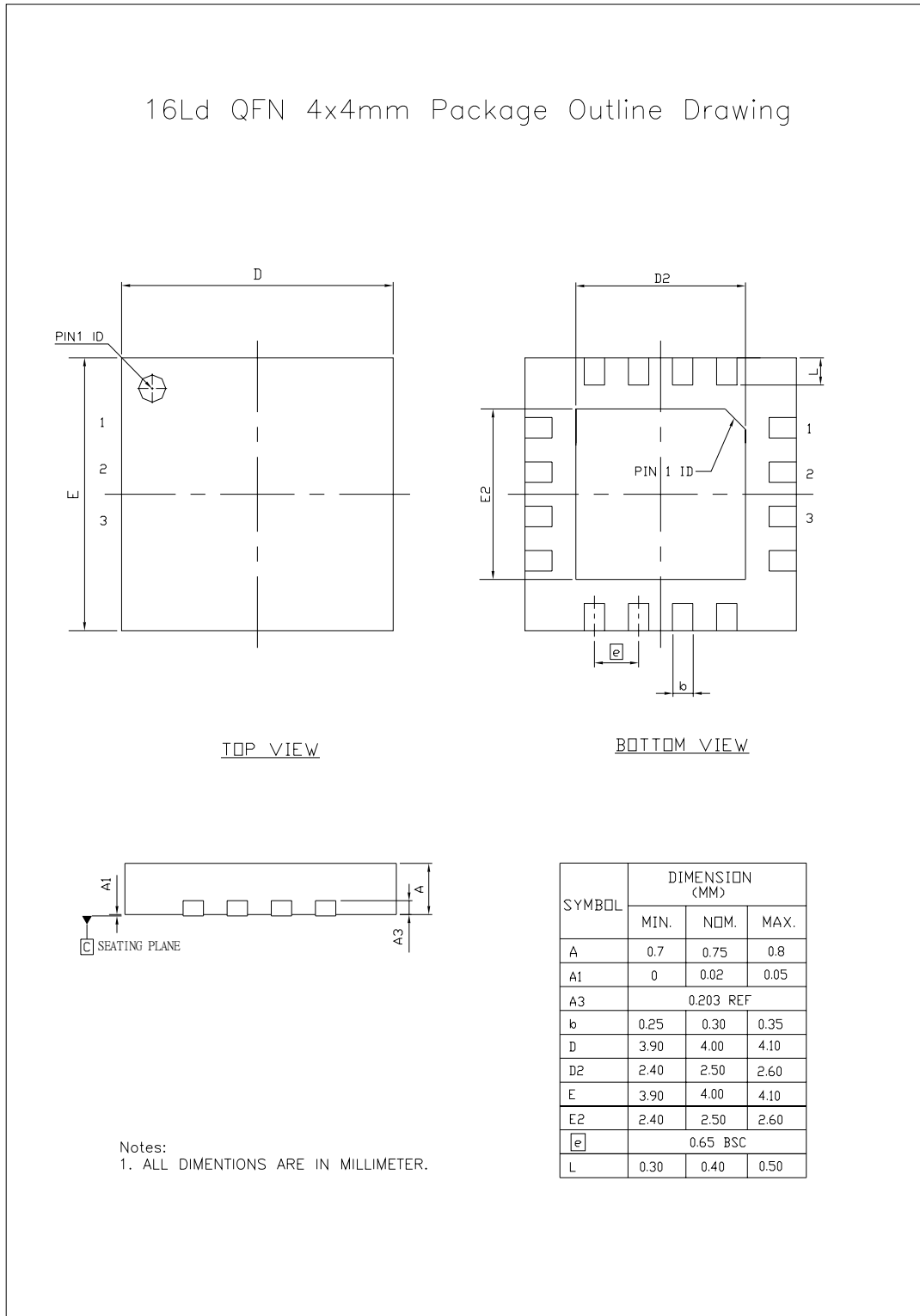
Item	Qty	Reference	Value	Vendor	Part Number	PCB Footprint
1	3	CIN1	10μ/25V	TDK	C4532X7R1E106M	1812
				Johanson Dielectrics	250S43X106M	
2	4	COU1	150μF/4V	Panasonic	EEFUE0J151R	D2E
3	1	C6	0.1uF/10V	Any	Ceramic – X7R or X5R	0603
4	1	C1	0.22μF	Any	Ceramic – X7R or X5R	0603
5	2	C4, C5	1μF/10V	TDK	C1608X5R1A105K	0603
				Johanson Dielectrics	100R14X105M	
6	1	C2	470pF			
7	1	C9	1nF/25V	Any	Ceramic – X7R or X5R	0603
8	1	C10	22pf/25V	Any	Ceramic – X7R or X5R	0603
9	1	C3	4.7nF/25V	Any	Ceramic – X7R or X5R	0603
10	1	C11	22nF/10V	Any	Ceramic – X7R or X5R	0603
11	1	R8	0Ω	Any	NONE	0603
12	1	R13	51Ω	Any	NONE	0603
13	1	R1	22Ω	Any	NONE	0603
14	1	R12	1.9kΩ	Any	NONE	0603
15	3	R3, R4, R14	100kΩ 1%	Any	NONE	0603
16	2	R2, R15	120kΩ 1%	Any	NONE	0603
17	1	R5	300kΩ	Any	NONE	0603
18	1	D1	NONE	Vishay	MBR0540	SOD-123
19	1	D3	NONE	Vishay	15MQ040N	SMA1
20	1	Q1	NONE	Any	2N7002	SOT23
21	2	M1	NONE	Infineon	BSC119N03S	PPAK SO-8
22	2	M2	NONE	Infineon	BSC022N03S	PPAK SO-8
23	1	L1	0.47μH/41A/1mΩ	Vishay	IHLP5050FDER0R47M01	-
24	1	U1	NONE	O2Micro, Inc.	OZ811	QFN16
#	24					

COMPONENT SUPPLIERS

Manufacturer	Contact Information	
	Phone	Website
Power MOSFETs		
Infineon	+49 89 234 65555	www.infineon.com
Inductors		
Vishay	1-402-563-6866	www.vishay.com
TOKO	1-408-432-8281	www.toko.com
Diode		
Vishay	1-402-563-6866	www.vishay.com
Fairchild	1-703-478-5800	www.fairchildsemi.com
Capacitors		
Vishay	1-847-803-6100	www.vishay.com
Johanson Dielectrics	1-818-364-9800	www.johansondielectrics.com
TDK	1-800-344-2112	www.tdk.com
SANYO	N/A	http://www.sanyo.com/components/
Resistors		
Vishay	1-402-563-6866	www.vishay.com
TDK	1-800-344-2112	www.tdk.com

PACKAGE INFORMATION

Exposed pad is GNDA (pin 17) and must be fully soldered to PCB

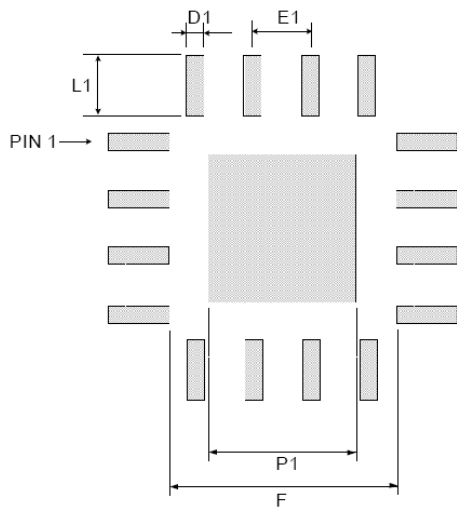


Rth j-a (QFN-16 4x4mm package) = 38°C/W
Rth j-c (QFN-16 4x4mm package) = 4.8°C/W

DIMENSION TABLE
(16L QFN 4mmX4mm BODY)

SYMBOL	SPECIFICATION		
	Min	Nom	Max
D1		0.32	
E1		0.65	
L1		0.80	
P1		2.50	
F		3.20	

LANDING PATTERN



Notes:

1. Controlling dimensions are in millimeters (mm).
2. Pin #1 count orientation shall be in a counterclockwise direction as viewed in live-bug position.

PACKAGE MARKING

OZ811L N

Mark	Function
N	Lead-Free Package

Mark	Function
L	QFN

IMPORTANT NOTICE

No portion of O₂Micro specifications/datasheets or any of its subparts may be reproduced in any form, or by any means, without prior written permission from O₂Micro.

O₂Micro and its subsidiaries reserve the right to make changes to their datasheets and/or products or to discontinue any product or service without notice, and advise customers to obtain the latest version of relevant information to verify, before placing orders, that information being relied on is current and complete. All products are sold subject to the terms and conditions of sale supplied at the time of order acknowledgment, including those pertaining to warranty, patent infringement, and limitation of liability.

O₂Micro warrants performance of its products to the specifications applicable at the time of sale in accordance with O₂Micro's standard warranty. Testing and other quality control techniques are utilized to the extent O₂Micro deems necessary to support this warranty. Specific testing of all parameters of each device is not necessarily performed, except those mandated by government requirements.

Customer acknowledges that O₂Micro products are not designed, manufactured or intended for incorporation into any systems or products intended for use in connection with life support or other hazardous activities or environments in which the failure of the O₂Micro products could lead to death, bodily injury, or property or environmental damage ("High Risk Activities"). O₂Micro hereby disclaims all warranties, and O₂Micro will have no liability to Customer or any third party, relating to the use of O₂Micro products in connection with any High Risk Activities.

Any support, assistance, recommendation or information (collectively, "Support") that O₂Micro may provide to you (including, without limitation, regarding the design, development or debugging of your circuit board or other application) is provided "AS IS." O₂Micro does not make, and hereby disclaims, any warranties regarding any such Support, including, without limitation, any warranties of merchantability or fitness for a particular purpose, and any warranty that such Support will be accurate or error free or that your circuit board or other application will be operational or functional. O₂Micro will have no liability to you under any legal theory in connection with your use of or reliance on such support.

COPYRIGHT © 2004-2008, O₂Micro International Limited